

CITYLINE SERIES CASEMENT (PROJECT-OUT)

FEATURES

- ◇ **Framing System**
 - Patented OptiCore Technology
 - Architectural grade aluminum frame
 - Dual Euro-Groove frame system
- ◇ **Enhanced Design**
 - Azo-Core Thermal Barrier System for reduced thermal-conductivity and increased energy-efficiency
 - Modern, squared frame glazing
 - 2 7/8" narrow sitalines
 - With or without Integral Nailing Fin
- ◇ **Glazing**
 - 1" insulating glass
 - Dual-sealed Warm Edge Super Spacer system
- ◇ **Hardware**
 - Heavy-commercial Amesbury/Truth lock and crank-out system
- ◇ **Screen**
 - Easily removable FlexScreen system carries a lifetime warranty

BENEFITS

- ◇ Capacity to match exterior colors for unique project facades
- ◇ Two-tone capabilities with a color to match the building interior and another to match the exterior
- ◇ Maximum sizing affords the facilitation of large sizes for taller and wider window openings
- ◇ Thermal performances never thought achievable in aluminum windows

PERFORMANCE

- ◇ Structural & Thermal (test reports available upon request)

Model	Casement (Project-Out)	
NAFS Rating	AW-PG100-C*	AW-PG70-C
Test Size	48" x 84" (Maximum)	
Design Pressure (P.S.F.)	105.26	
Air Infiltration at 25 MPH (cfm/ft ²)	0.02*	0.02
Water Resistance (P.S.F.)	12.11*	12.11
CR (Condensation Resistance)	51-80	
U-Value (ranges based on multiple Low-E/Argon combinations)	0.19-0.30	
SHGC (ranges based on multiple Low-E/Argon combinations)	0.11-0.44	
OITC/STC	28-35 / 28-44	

Operating Force (per ASTM E2068): 13 N 3 lbf (Initiate motion and Maintain Motion)

CR, U-Value and SHGC values shown are a range based on Quaker's most popular glass package options in all-window testing (not center-of-glass testing). Test results were achieved with no grids. The addition of optional grids may cause the results to vary slightly. Other available glass options may result in scores outside of the range shown.

OITC/STC ranges are based on the use of multiple glass pane thicknesses.

* Performance numbers and AAMA Grade ratings are projected. Certification is in process.

Our products are tested to the standards of and certified by some of the foremost organizations in the fenestration industry.



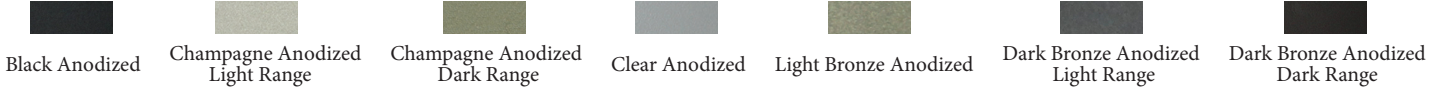
ARCHITECTURAL PAINT COATINGS AND FINISHES

◇ Baked on powder coat finish meets AAMA 2604 (an FGIA specification) and is available in unlimited colors

- Quaker Impressive Palette of Colors



- 7 Resemble Colors (painted finish resembling anodized)



- Unlimited Custom Colors

◇ AAMA 2605 (an FGIA specification) powder coat finishes (not available for all colors shown)

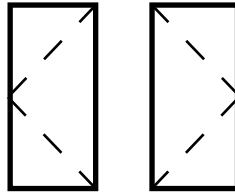
◇ SolarLE Paint Finish (available with Textured Black and Dark Espresso colors only)

◇ AAMA 611-98 Class I clear and tinted anodized finishes

* Printed colors shown here may not accurately depict actual painted colors. Color samples are available upon request.

Our products are tested to the standards of and certified by some of the foremost organizations in the fenestration industry.

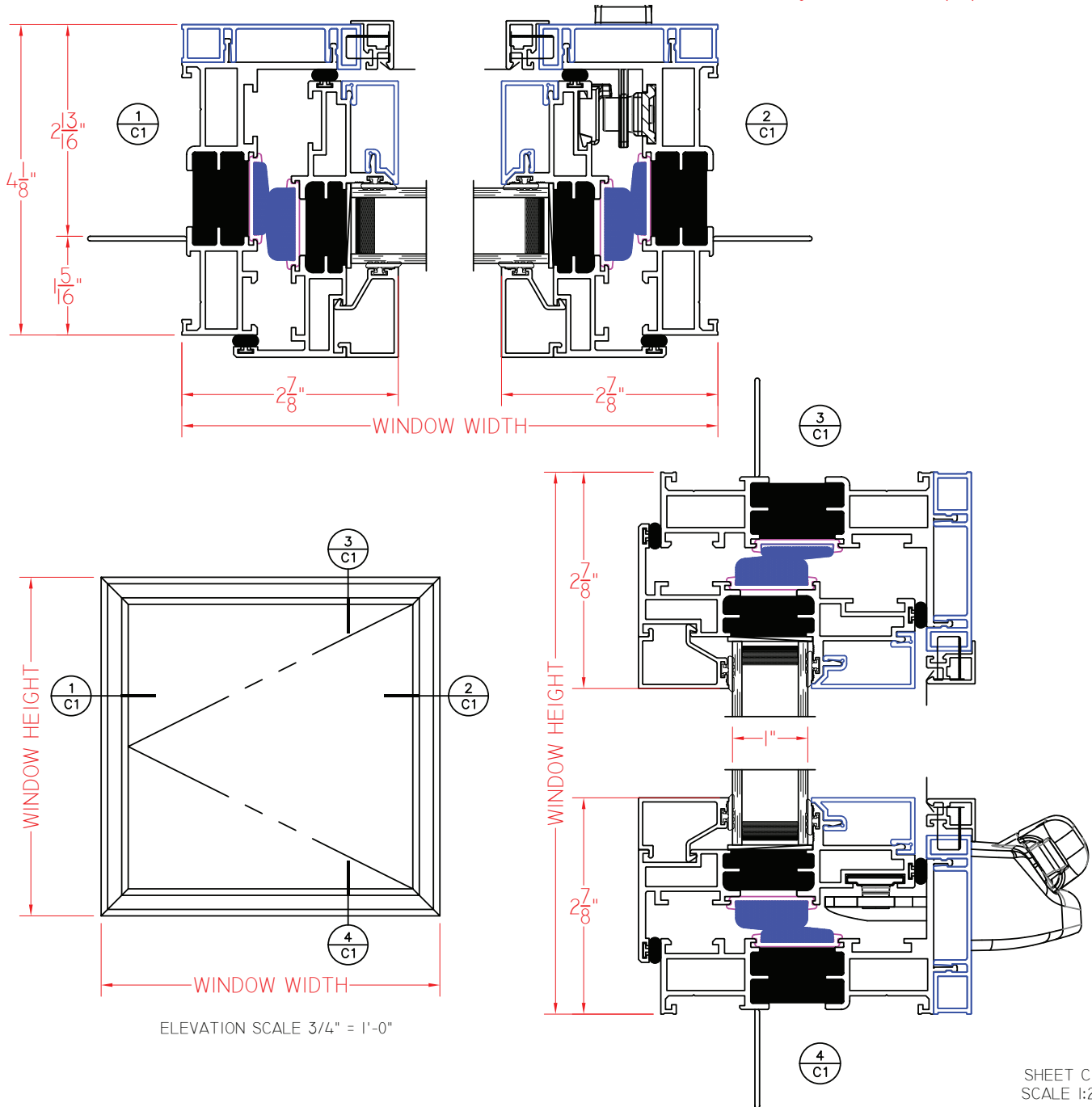




CITYLINE SERIES CASEMENT (PROJECT-OUT) CRANK OUT

Shown With Nailing Fins
and Squared-Off Exterior

This document contains confidential and proprietary information intended for the private use of Quaker.
© 2019 Quaker Window Products Co., INC. All rights reserved.
Quaker reserves the right to change any/all designs without notice. Due to periodic re-certification requirements, result shown may vary.



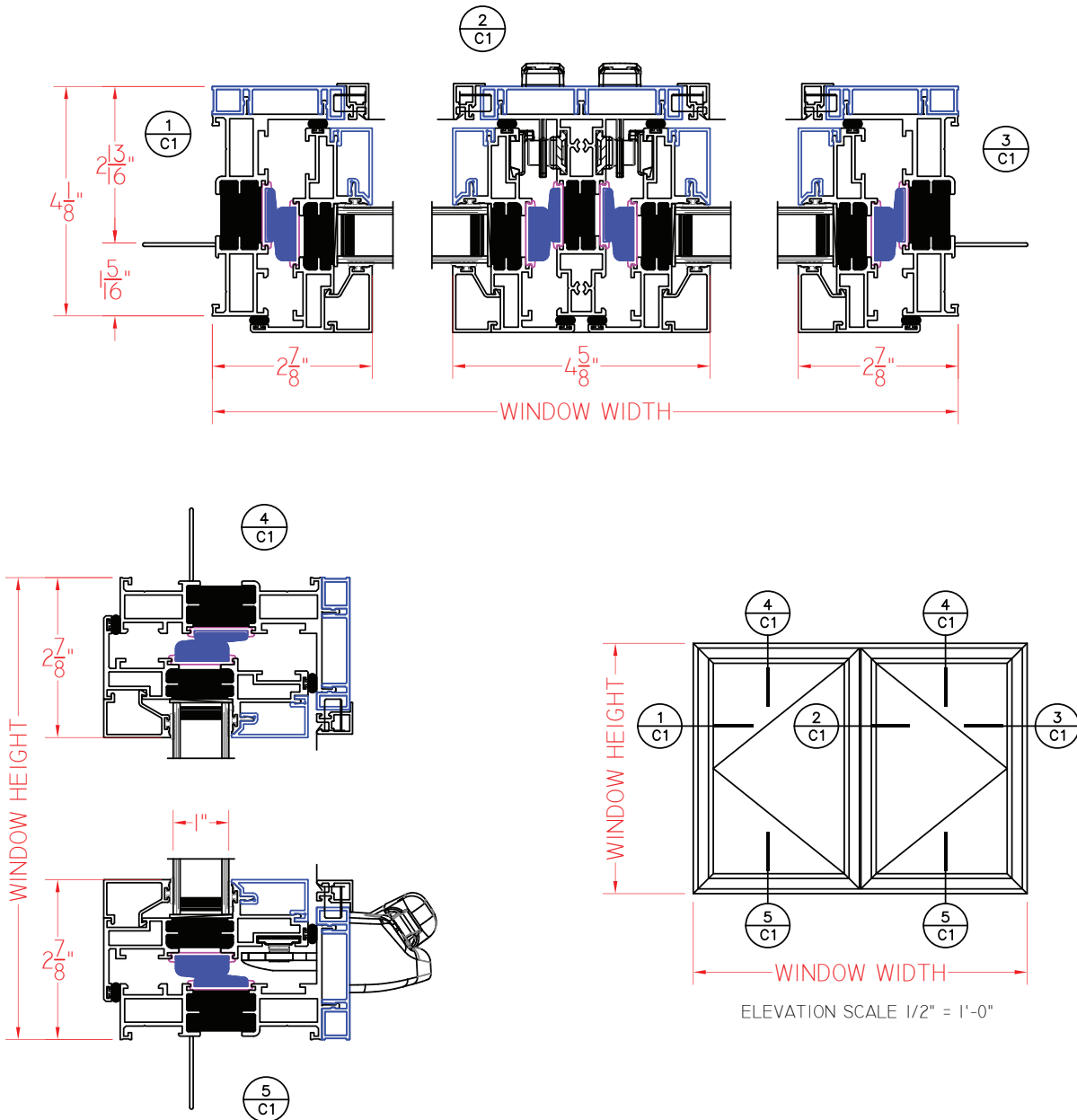
Our products are tested to the standards of and certified by some of the foremost organizations in the fenestration industry.



CITYLINE SERIES CASEMENT-CASEMENT (PROJECT-OUT) CRANK OUT

Shown With Nailing Fins
and Squared-Off Exterior

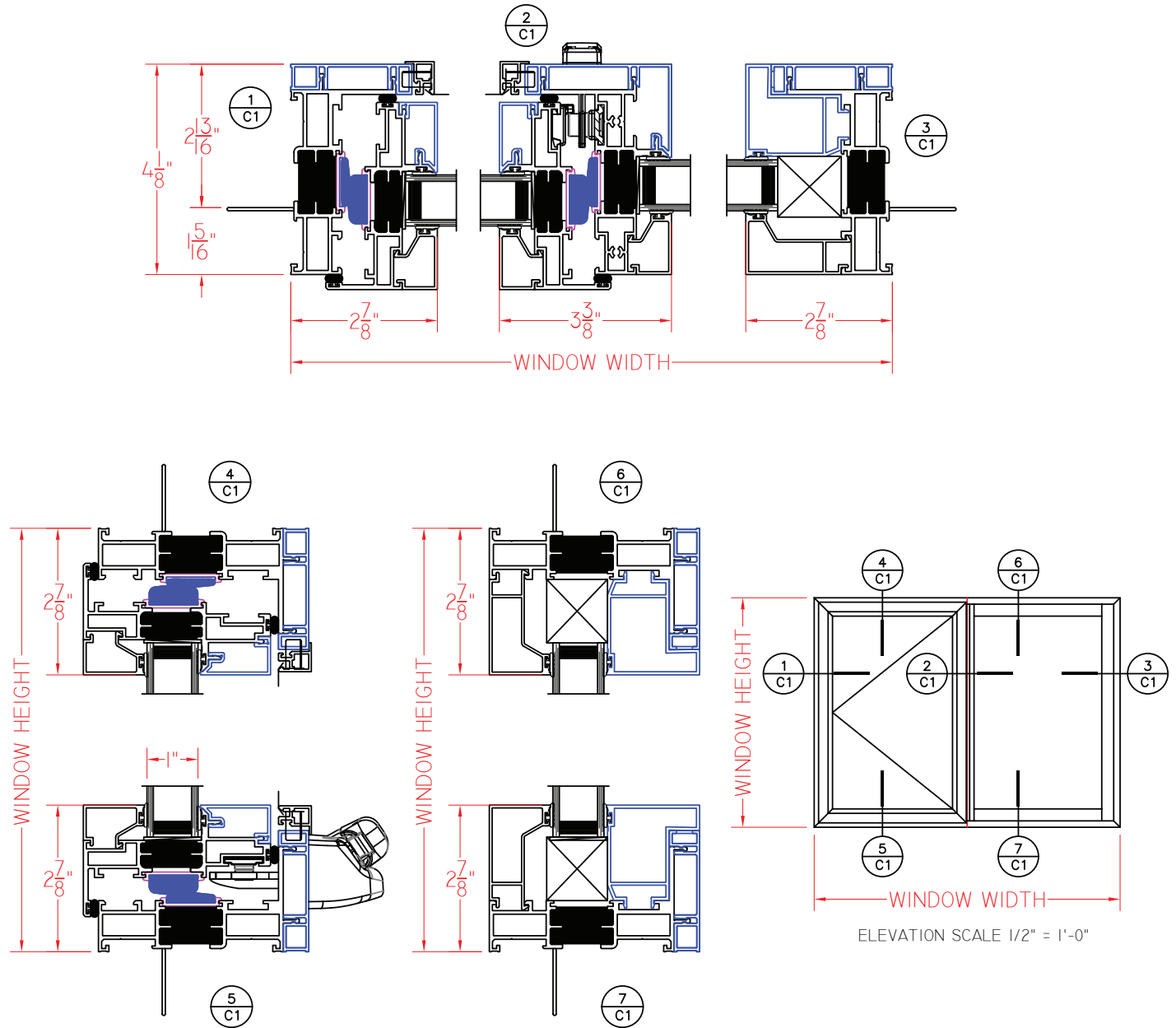
This document contains confidential and proprietary information intended for the private use of Quaker.
© 2019 Quaker Window Products Co., INC. All rights reserved.
Quaker reserves the right to change any/all designs without notice. Due to periodic re-certification requirements, result shown may vary.



CITYLINE SERIES CASEMENT-FIXED (PROJECT-OUT) CRANK OUT

Shown With Nailing Fins
and Squared-Off Exterior

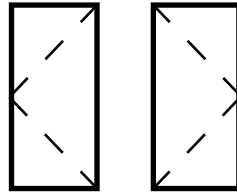
This document contains confidential and proprietary information intended for the private use of Quaker.
© 2019 Quaker Window Products Co., INC. All rights reserved.
Quaker reserves the right to change any/all designs without notice. Due to periodic re-certification requirements, result shown may vary.



SHEET C1
SCALE 1:3

Our products are tested to the standards of and certified by some of the foremost organizations in the fenestration industry.

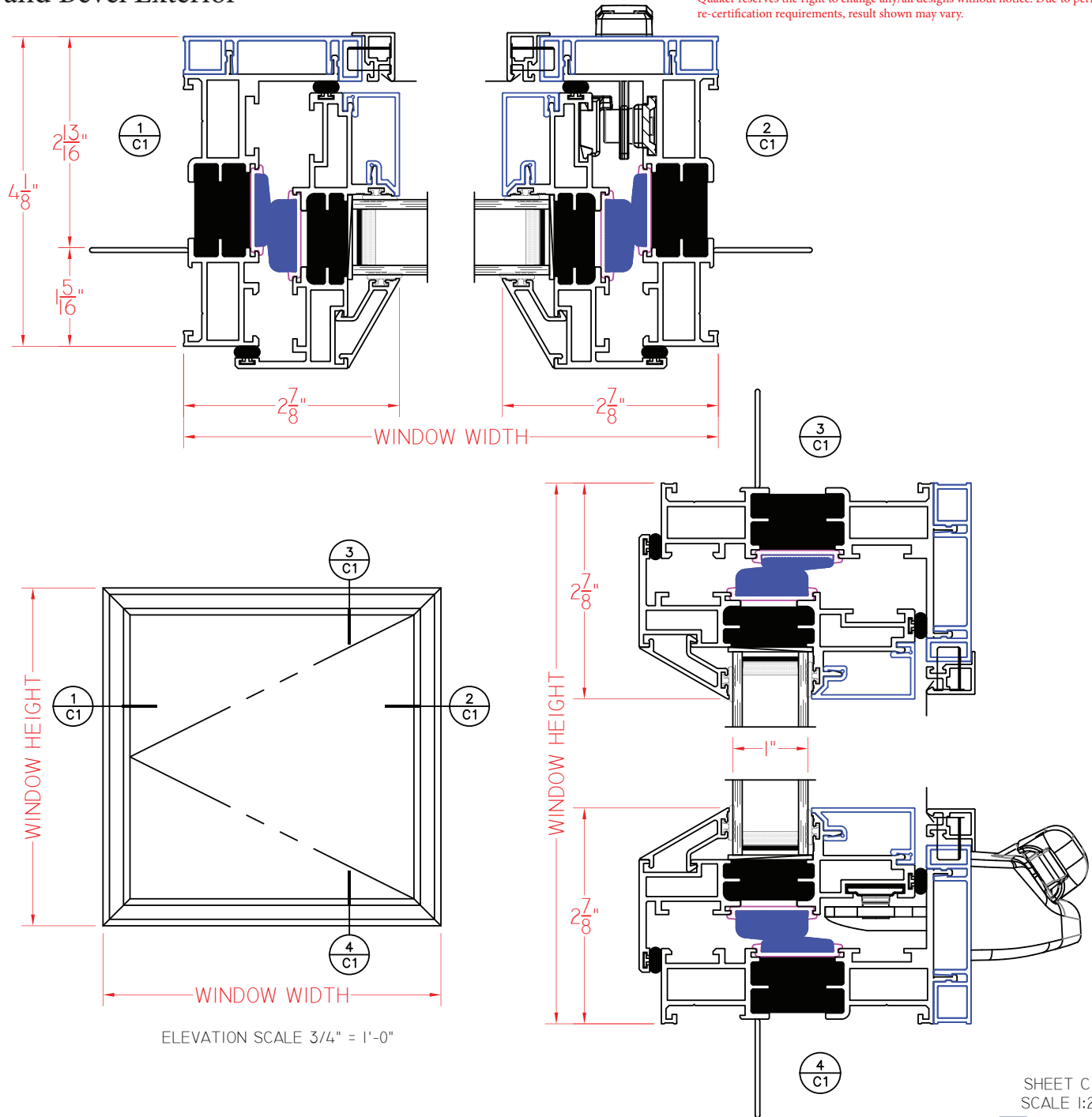




CITYLINE SERIES CASEMENT (PROJECT-OUT) CRANK OUT

Shown With Nailing Fins
and Bevel Exterior

This document contains confidential and proprietary information intended for the private use of Quaker.
© 2019 Quaker Window Products Co., INC. All rights reserved.
Quaker reserves the right to change any/all designs without notice. Due to periodic re-certification requirements, result shown may vary.



SHEET C1
SCALE 1:2

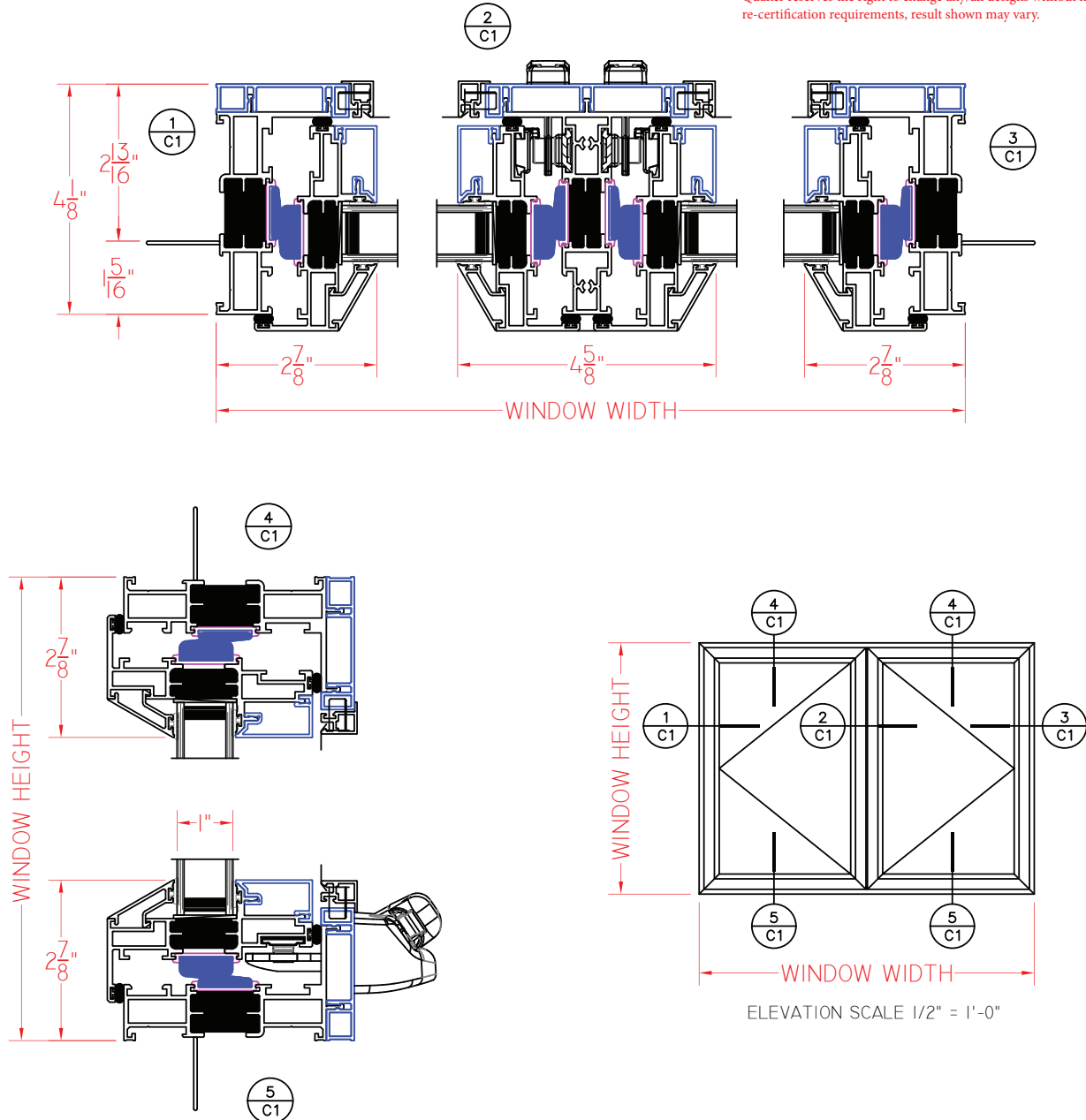
Our products are tested to the standards of and certified by some of the foremost organizations in the fenestration industry.



CITYLINE SERIES CASEMENT-CASEMENT (PROJECT-OUT) CRANK OUT

Shown With Nailing Fins
and Bevel Exterior

This document contains confidential and proprietary information intended for the private use of Quaker.
© 2019 Quaker Window Products Co., INC. All rights reserved.
Quaker reserves the right to change any/all designs without notice. Due to periodic re-certification requirements, result shown may vary.



SHEET C1
SCALE 1:3

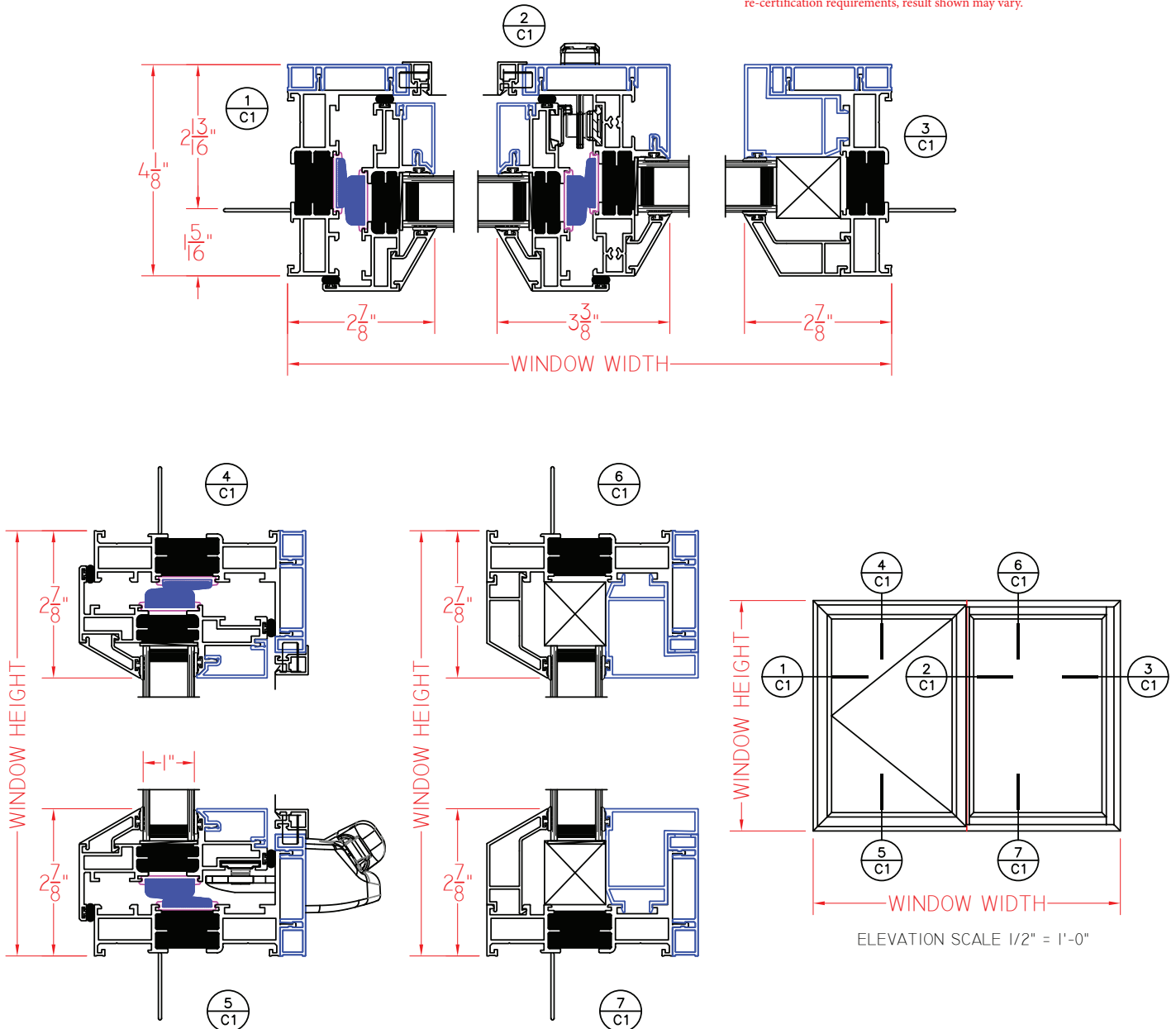
Our products are tested to the standards of and certified by some of the foremost organizations in the fenestration industry.



CITYLINE SERIES CASEMENT-FIXED (PROJECT-OUT) CRANK OUT

Shown With Nailing Fins
and Bevel Exterior

This document contains confidential and proprietary information intended for the private use of Quaker.
© 2019 Quaker Window Products Co., INC. All rights reserved.
Quaker reserves the right to change any/all designs without notice. Due to periodic re-certification requirements, result shown may vary.



Our products are tested to the standards of and certified by some of the foremost organizations in the fenestration industry.



SHEET C1
SCALE 1:3