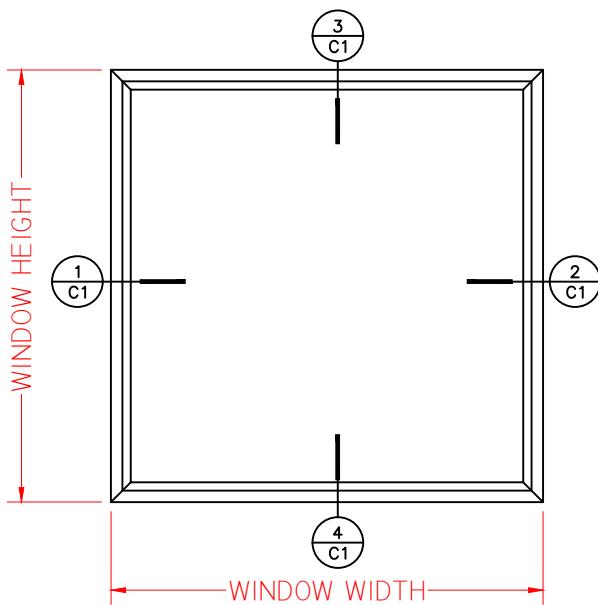
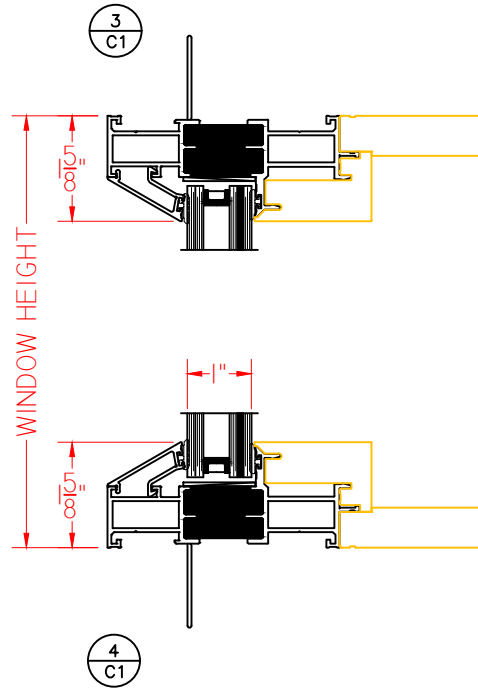
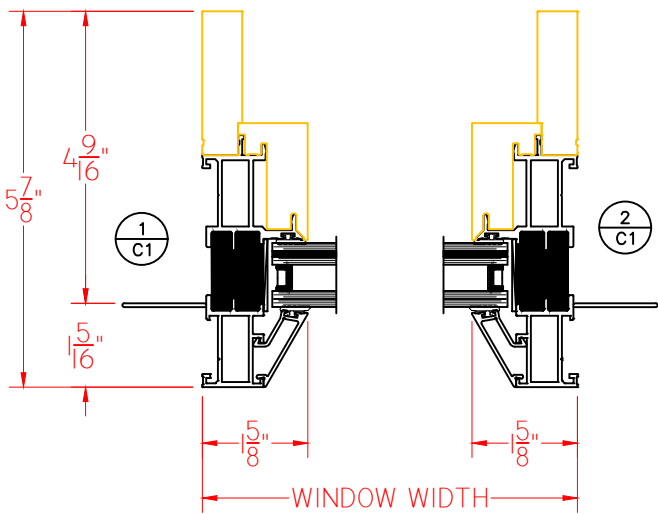
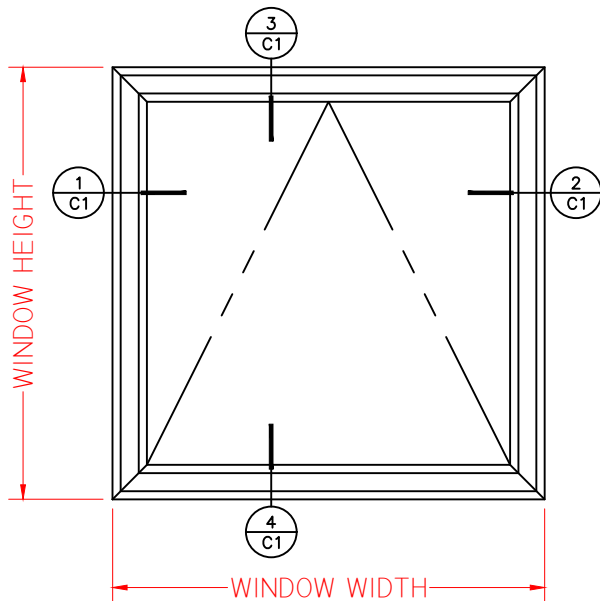
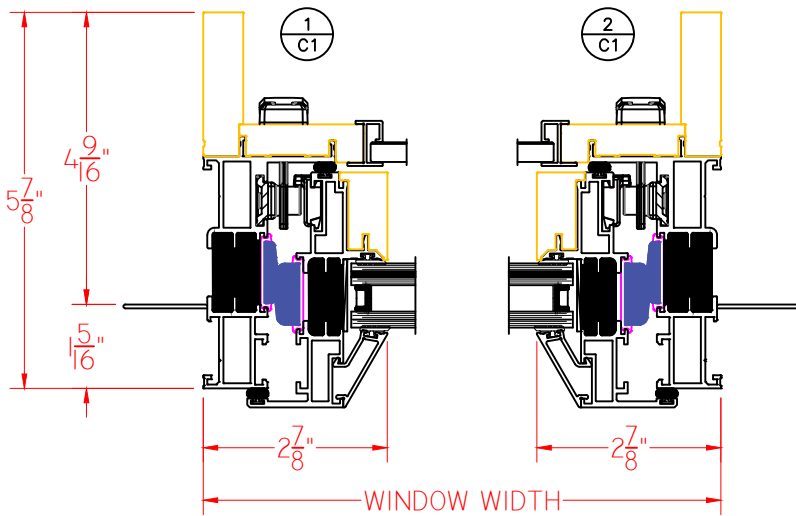


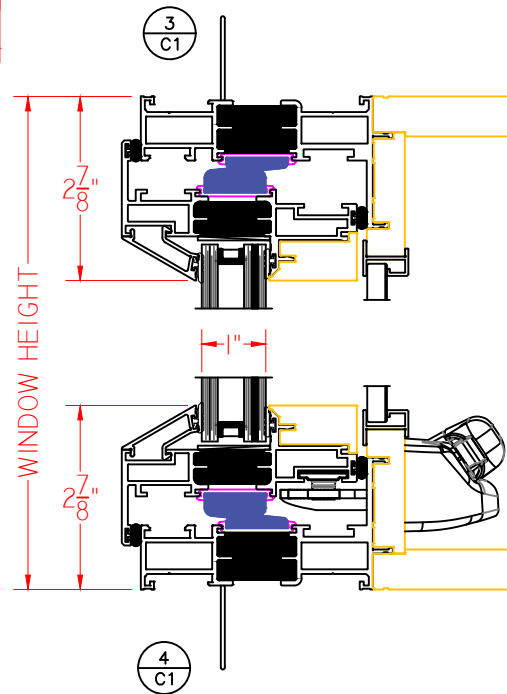
TimberLine FIXED



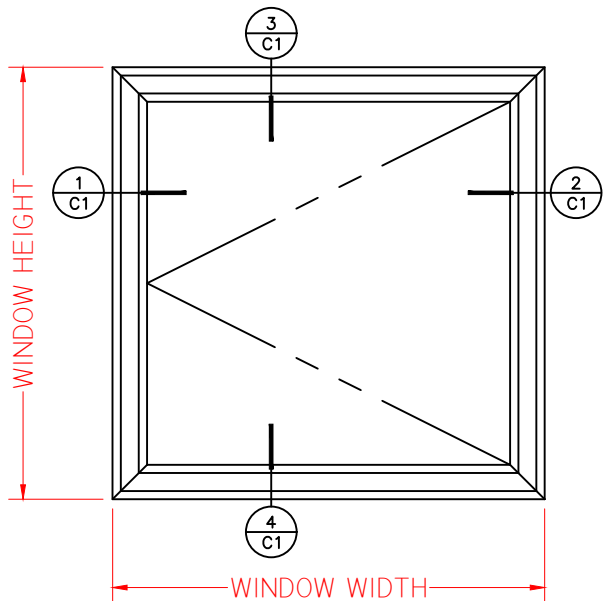
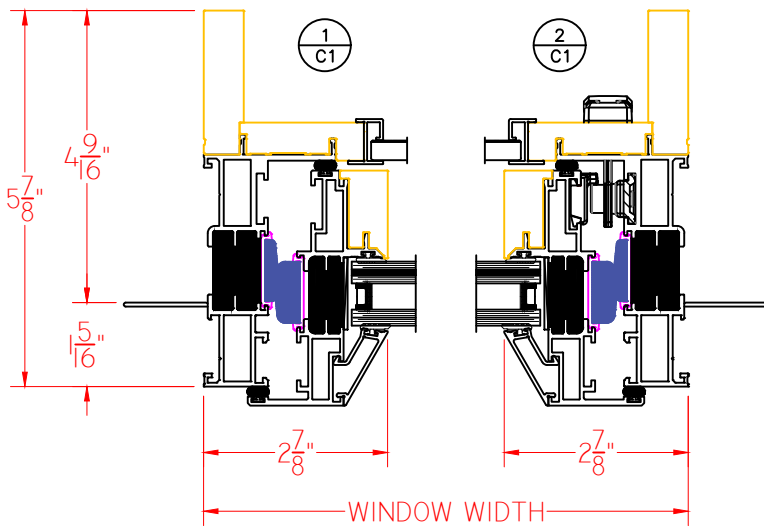
ELEVATION SCALE 3/4" = 1'-0"



ELEVATION SCALE 3/4" = 1'-0"



TimberLine CASEMENT



ELEVATION SCALE 3/4" = 1'-0"

