



Assembly Guidelines for Knock Down Opticore Picture Windows Assembled and Installed by Others

PO Box 128 | 504 Highway 63 South | Freeburg, MO 65035 | 800-347-0438 | www.quakerwindows.com

Read these instructions completely before starting any installation. Failure to install and maintain our product according to these instructions may void any product warranty. These are generic instructions intended to cover most common situations, which may not be appropriate for all installation due to building design, construction materials, or methods used and/or building or site conditions. Please visit our website at www.quakerwindows.com or call 1-800-347-0438 for additional information. Inspect all units for any damage or defects prior to installation.

Tools required by installer:

| | | | |
|----------------|--|---------------|--|
| Safety glasses |  | Utility knife |  |
| Drill/Driver |  | Caulk gun |  |
| Level |  | Tape measure |  |
| Hammer |  | Putty Knife |  |

Materials required by installer:

| | | | |
|----------------------------------|---|------------------------------|---|
| Shims (Waterproof) |  | Minimally Expanding Foam |  |
| Flashing Tape (Self-Adhering) |  | Sealant |  |
| Fasteners |  | Denatured Rubbing Alcohol |  |
| |  | Drip Cap |  |

WARNING

Tools

- Follow manufacturers instructions for safe operation of tools, and ladders/scaffolding. Always wear safety glasses. Failure to do so could result in injury, product or property damage.

Handling

- Do not store units outside, or in a hot environment. Doing so could result in product damage.
- Do not carry flat.** Doing so could result in product damage, injury, or property damage.
- Stack units as straight as possible to avoid bowing. **Do not lay flat!**

Glass

- If broken, glass can fragment causing injury. All Quaker products are available with safety glass. In many areas, local building codes require safety glass in certain locations and/or applications. Unless safety glass is ordered, Quaker windows are not provided with safety glass. Consult your local building codes for more definitive information.

Fastening

- Metal fasteners and components could corrode when used with preservative-treated lumber. Use approved fasteners and components to fasten window or door. Failure to do so could cause a failure resulting in injury, product or property damage.
- Fastener must attach to a structural framing member with 1 1/2" minimum fastener embedment, or minimum 3 full threads with a minimum 5/16" head as products were tested with.
- Quaker does not supply anchorage/fastener calculations, and is not responsible for determining structural adequacy of the anchorage and fasteners used to install our products, or the openings into which they are installed.**
- Do not** over drive screws or nails. Doing so could result in product damage.

CAUTION**Installation**

- Maintain a minimum of 1/4" between the window or door frame and exterior finish materials. Failure to do so could result in product or property damage.
- Nailing flanges and drip caps (integral or applied) **do not** take the place of window flashing. All windows and doors must be properly flashed and sealed with material compatible sealant for protection against water and air infiltration around the entire perimeter. Failure to do so could result in product or property damage.
- **Do not** set window directly on sill plate. Place shims under the side jambs. Window or door must be properly shimmed. Failure to do so could affect operation and product performance and could result in product damage.
- Live or dead loads transferred into our product can affect functionality, damage frame joinery or cause glass failures. Dead loads such as upper levels, roof, etc. Should be constructed before window or door is installed.
- Loads shall be designed to withstand the most critical effects of load factors and load combinations as required by the building code. (Loads are including but not limited to Live, Dead, Collateral, Auxiliary, Thermally induced, Seismic, etc.)
- Maximum vertical deflection of the header under all Load combination should not exceed 1/8".
- **Do not** drill through or into window sill to install alarm wires.

Sealing

- Follow instructions of foam, sealant, and flashing manufacturers regarding safety, material application, compatibility, and periodic maintenance for continued weather resistance of their products. Failure to do so could result in product or property damage. **DO NOT** overfill between the frame and opening.
- Minimally expanding foam insulation must be compliant with AAMA 812-04.
- Quaker recommends 100% silicone (ASTM C920 compliant) neutral cure only sealant. Always clean all areas where sealant will be applied. Failure to do so could result in product or property damage.
- Flashing tape must meet ASTM-D779 performance requirements.

Joining

- Do not join any window or door to any window or door not designed for joining. Joined windows and doors must be individually supported in the opening. Failure to do so could affect operation and product performance and could result in product or property damage.

Cleaning

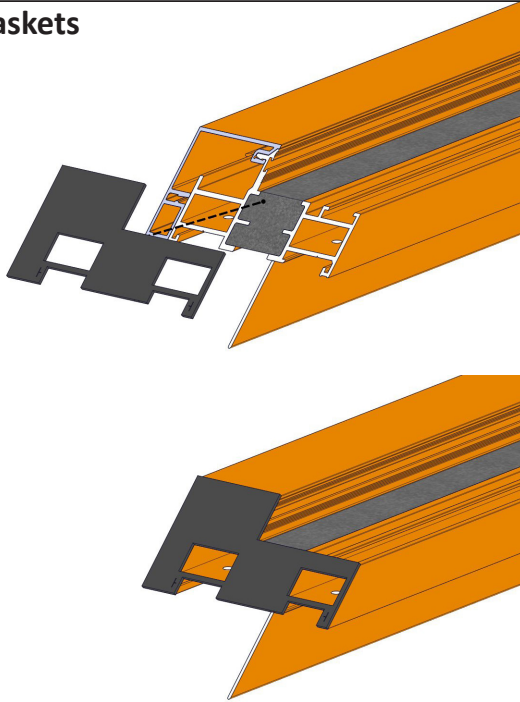
- Acid solutions used for cleaning will damage glass, fasteners, hardware, and metal flashing. Protect these products and follow cleaning products manufacturers instructions. If acid contacts the window or door, wash all surfaces immediately with clean water.
- **Do not** use razor blades to clean glass surface. Glass damage could result.
- Clean glass using liquid glass cleaner.
- Clean frame, sash, panels, and insect screens using mild detergent and warm water with a soft cloth or brush.

IMPORTANT

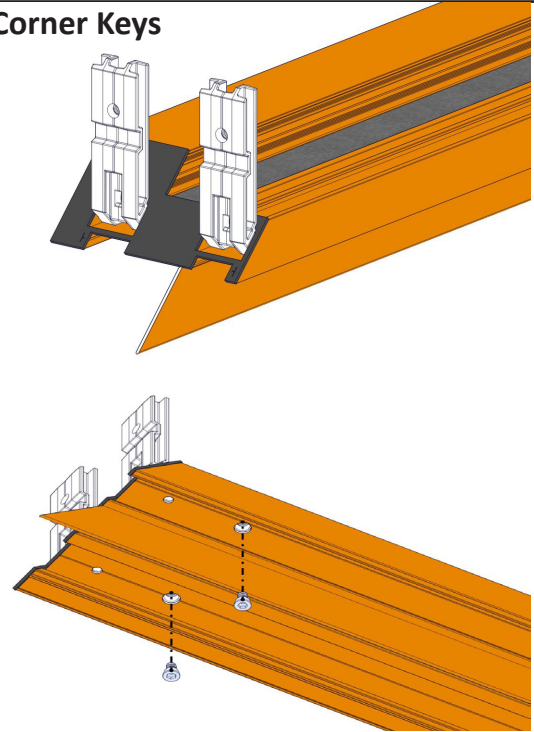
- Buildings constructed prior to 1978 could contain lead paint which could be disturbed during window or door replacement. For more information on proper management of lead paint, go to: www.epa.gov/lead
- Care must be taken to properly recycle or dispose of old materials. Any recyclable materials should be separated from non-recyclable or hazardous materials. Please consult with local or state authorities regarding proper disposal of non-recyclable or hazardous materials

! **WARNING:** This product can expose you to chemicals including titanium dioxide or methanol, which are known to the State of California to cause cancer and birth defects or other reproductive harm. For more information go to www.P65Warnings.ca.gov.

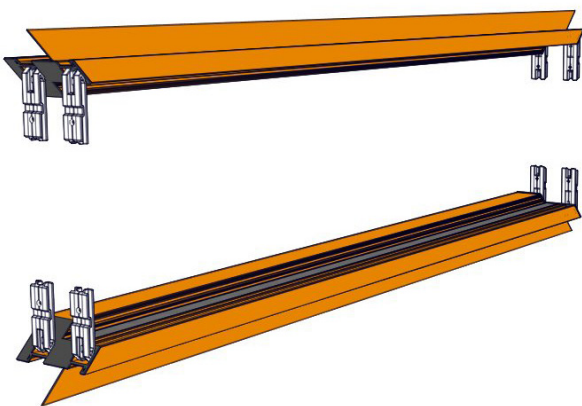
! **WARNING:** Drilling, sawing, sanding or machining wood products can expose you to wood dust, a substance known to the State of California to cause cancer. Avoid inhaling wood dust or use a dust mask or other safeguards for personal protection. For more information go to www.P65Warnings.ca.gov/wood.

1 Gaskets

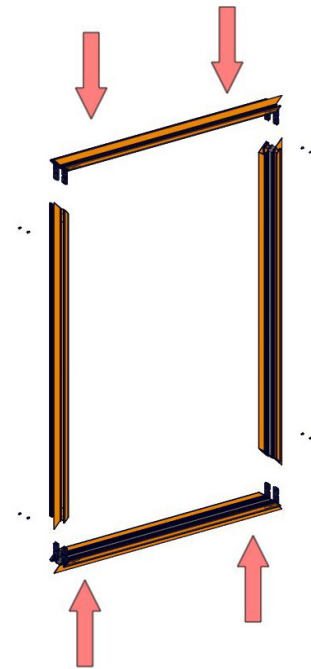
Starting with the sill frame, apply a gasket to each mitered end by placing the adhesive side of the gasket to the mitered end. Ensure the gasket slightly overlaps the perimeter.

2 Corner Keys

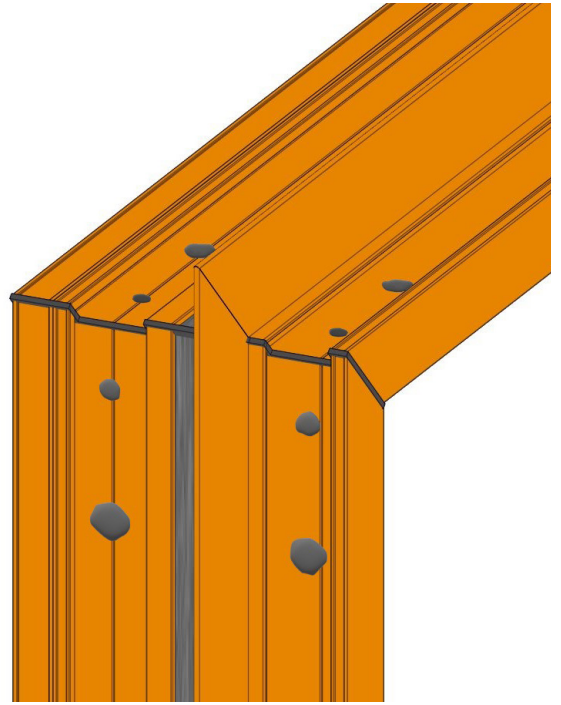
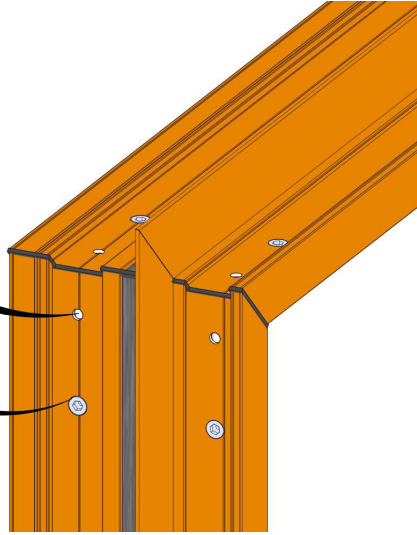
Insert and screw the corner keys into the ends of the sill frame with the provided corner key screws as shown. Each mitered end gets two keys, each key gets one screw through the frame piece.

3 Header

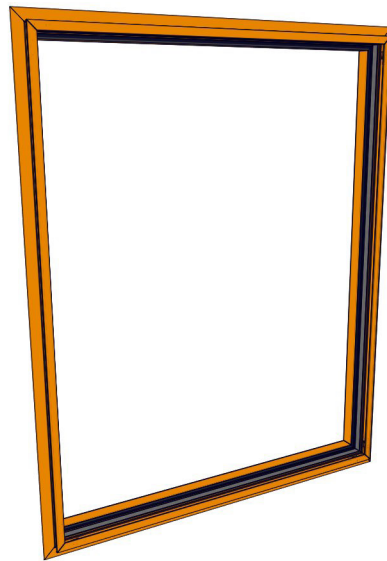
Repeat steps 1 and 2 for the header frame member. Both the header and sill members should have one gasket, 2 corner keys, and 2 key screws on each mitered end.

4 Assemble Frame Parts

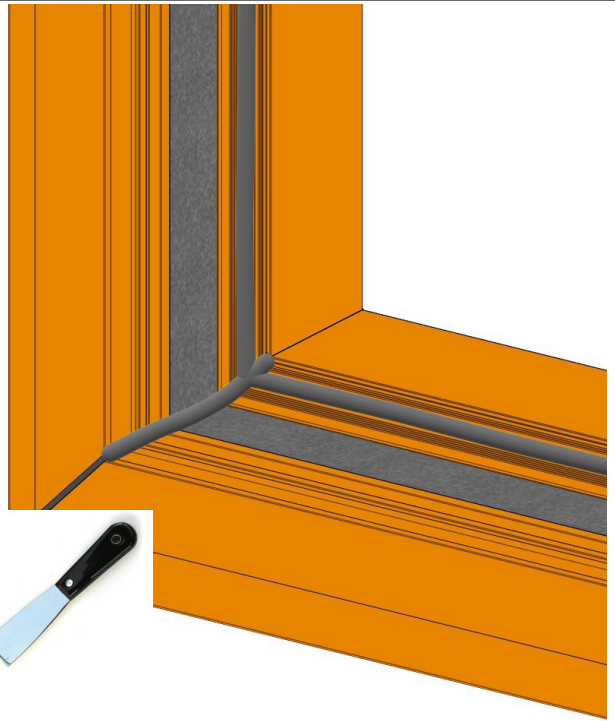
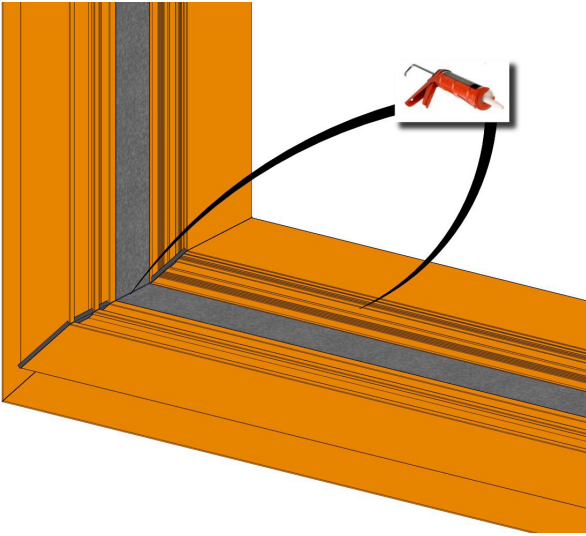
Attach the header and sill to the jambs by inserting the corner keys into the open ends of the jambs and screwing the keys in place through the jambs with the provided screws.

5**Inject and Seal Outside Corners**

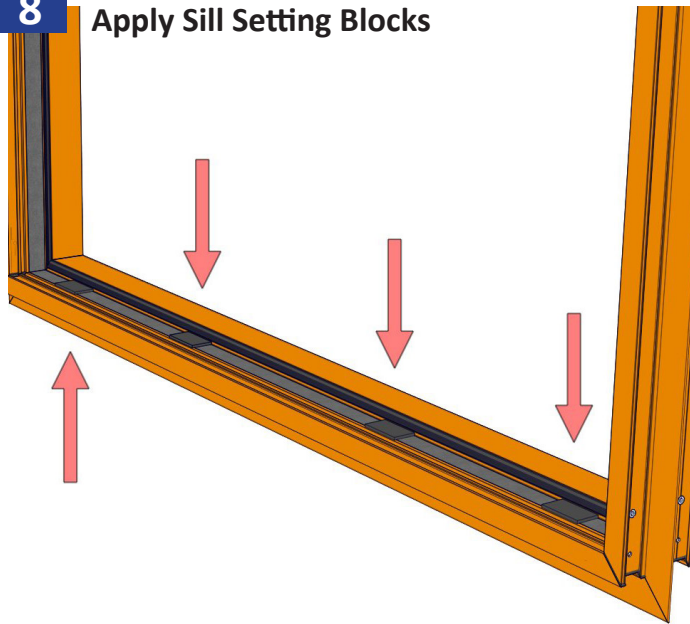
Using a caulk gun and sealant, inject sealant through the injection hole until the sealant can be seen through the other injection hole along that corner key. Also cover the screw heads for the corner key screws. Repeat for each corner key in entire assembly.

6**Install Frame in Rough Opening**

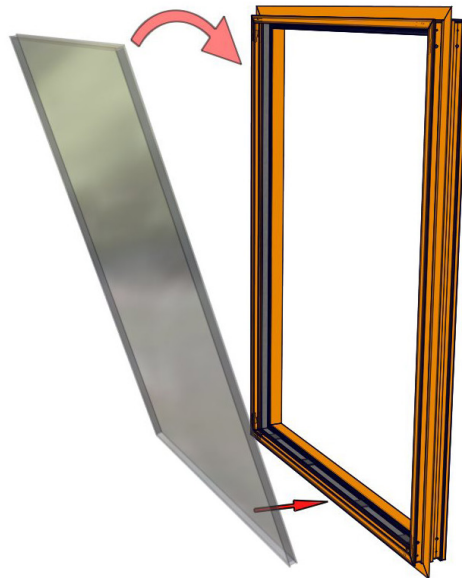
Refer to Nail Fin Install Guide to properly install the frame into the rough opening. Level, plumb, shim, check for square, seal, fasten.

7**Glaze and Seam Seal**

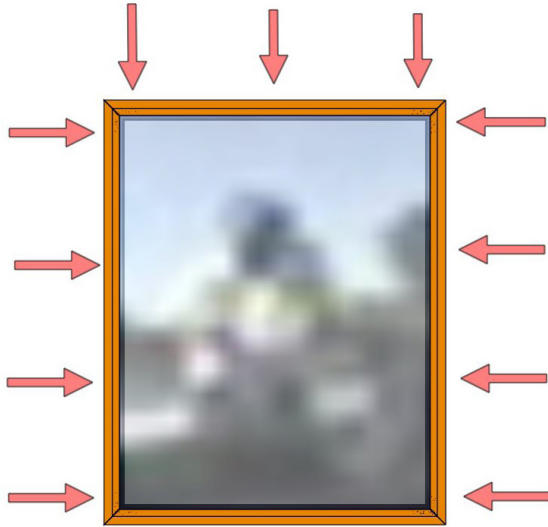
Apply a continuous 1/4" bead of sealant along the glazing legs filling the T-track. Then apply a bead of sealant along the inside corners of the frame from the glazing leg out to seal the seam. Tool the sealant in the corners.

8**Apply Sill Setting Blocks**

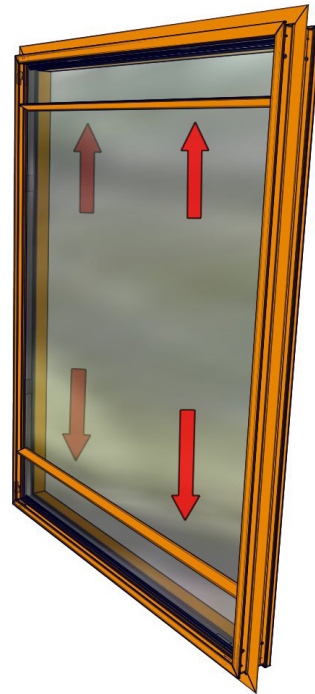
Insert provided setting blocks on the sill. Place 1 block in each corner no more than 6" from the jamb. Continue to place blocks along the sill spacing them no more than 18" apart.

9**Install Glass**

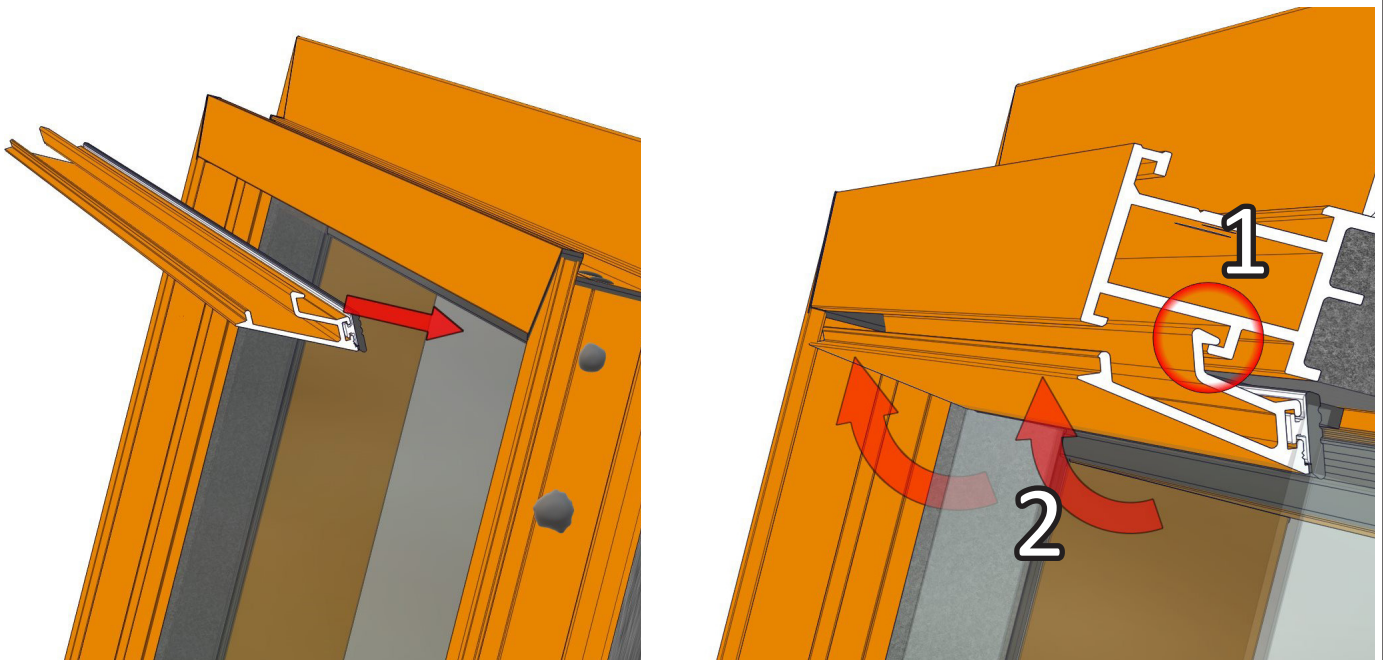
Install the insulating glass unit into the window frame from the exterior, bottom first and tilting the glass into the frame.

10 Install Remaining Setting Blocks

With the glass in the frame, install the remaining setting blocks around the glass perimeter. Place a block no more than 6 inches from each corner, and along the perimeter of the glass every 18 inches.

11 Install Glazing Stops

Install the horizontal glazing stops first at the head and sill, then install the vertical stops at the jambs to lock the glass into frame.

11b Glazing Stop Install Detail

Install the stop by rolling the stop into place. A mallet may be required to persuade the stops to lock into place.



Assembly Guidelines For Knock Down Opticore Picture Windows Assembled and Installed by Others

If this set of instructions doesn't match your installation method or wall conditions please check our website listed below for other options, or call the office.

Scan here for a digital version of these guidelines in English



Or go to: <http://quakerwindows.com/installation-instructions/>

Scan here for a digital version of these guidelines in Spanish



Or go to: <https://quakerwindows.com/installation-instructions-spanish/>

