



Installation Guidelines for Opticore Nail Fin Products with Stack Mull

PO Box 128 | 504 Highway 63 South | Freeburg, MO 65035 | 800-347-0438 |

Read these instructions completely before starting any installation. Failure to install and maintain our product according to these instructions may void any product warranty. These are generic instructions intended to cover most common situations, which may not be appropriate for all installations due to building design, construction materials, or methods used and/or building or site conditions. Please visit our website at www.quakerwindows.com or call 1-800-347-0438 for additional information. Inspect all units for any damage or defects prior to installation.

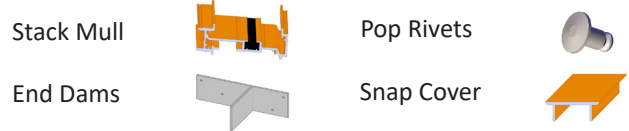
Tools required by installer:



Materials required by installer:



Quaker Supplied Parts:



⚠ WARNING

Tools

- Follow manufacturer's instructions for safe operation of tools, and ladders/scaffolding. Always wear safety glasses. Failure to do so could result in injury, product or property damage.

Handling

- Do not store units outside, or in a hot environment. Doing so could result in product damage.
- Do not carry flat.** Doing so could result in product damage, injury, or property damage.
- Stack units as straight as possible to avoid bowing. **Do not lay flat!**

Glass

- If broken, glass can fragment causing injury. All Quaker products are available with safety glass. In many areas, local building codes require safety glass in certain locations and/or applications. Unless safety glass is ordered, Quaker windows are not provided with safety glass. Consult your local building codes for more definitive information.

Fastening

- Metal fasteners and components could corrode when used with preservative-treated lumber. Use approved fasteners and components to fasten window or door. Failure to do so could cause a failure resulting in injury, product or property damage.
- Fastener must attach to a structural framing member with 1 1/2" minimum fastener embedment, or minimum 3 full threads with a minimum 5/16" head as products were tested with.
- Quaker does not supply anchorage/fastener calculations, and is not responsible for determining structural adequacy of the anchorage and fasteners used to install our products, or the openings into which they are installed.**
- Do not** over drive screws or nails. Doing so could result in product damage.

CAUTION**Installation**

- Maintain a minimum of 1/4" between the window or door frame and exterior finish materials. Failure to do so could result in product or property damage.
- Nailing flanges and drip caps (integral or applied) **do not** take the place of window flashing. All windows and doors must be properly flashed and sealed with material compatible sealant for protection against water and air infiltration around the entire perimeter. Failure to do so could result in product or property damage.
- **Do not** set window directly on sill plate. Place shims under the side jambs. Window or door must be properly shimmed. Failure to do so could affect operation and product performance and could result in product damage.
- Live or dead loads transferred into our product can affect functionality, damage frame joinery or cause glass failures. Dead loads such as upper levels, roof, etc. Should be constructed before window or door is installed.
- Loads shall be designed to withstand the most critical effects of load factors and load combinations as required by the building code. (Loads are including but not limited to Live, Dead, Collateral, Auxiliary, Thermally induced, Seismic, etc.)
- Maximum vertical deflection of the header under all Load combination should not exceed 1/8".
- **Do not** drill through or into window sill to install alarm wires.

Sealing

- Follow instructions of foam, sealant, and flashing manufacturers regarding safety, material application, compatibility, and periodic maintenance for continued weather resistance of their products. Failure to do so could result in product or property damage. **DO NOT** overfill between the frame and opening.
- Minimally expanding foam insulation must be compliant with AAMA 812-19

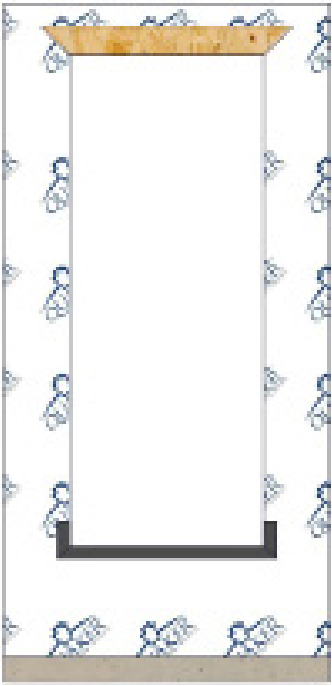
IMPORTANT

- Buildings constructed prior to 1978 could contain lead paint which could be disturbed during window or door replacement. For more information on proper management of lead paint, go to: www.epa.gov/lead
- Care must be taken to properly recycle or dispose of old materials. Any recyclable materials should be separated from non-recyclable or hazardous materials. Please consult with local or state authorities regarding proper disposal of non-recyclable or hazardous materials

! **WARNING:** This product can expose you to chemicals including titanium dioxide or methanol, which are known to the State of California to cause cancer and birth defects or other reproductive harm. For more information go to www.P65Warnings.ca.gov.

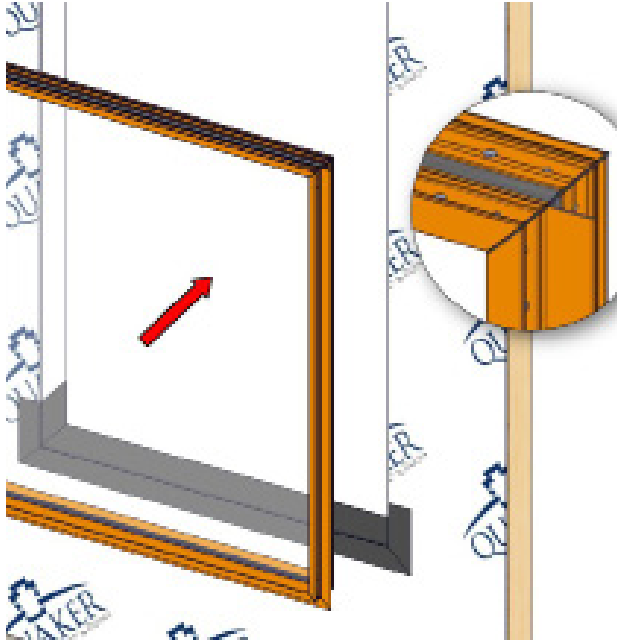
! **WARNING:** Drilling, sawing, sanding or machining wood products can expose you to wood dust, a substance known to the State of California to cause cancer. Avoid inhaling wood dust or use a dust mask or other safeguards for personal protection. For more information go to www.P65Warnings.ca.gov/wood.

1



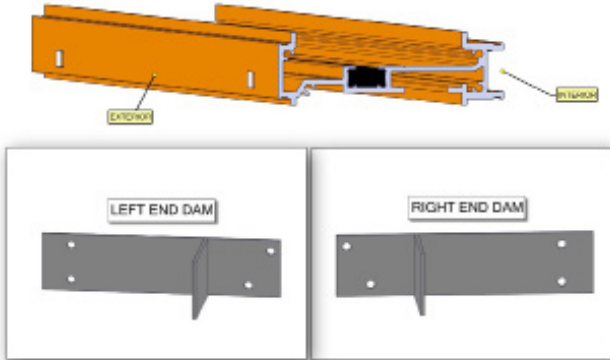
Prepare the rough opening per the QWP installation guideline for nail fin applications.
If using Quaker's sill pan flashing system please follow the instructions on the QWP installation guidelines for applying the sill pan flashing system.

2



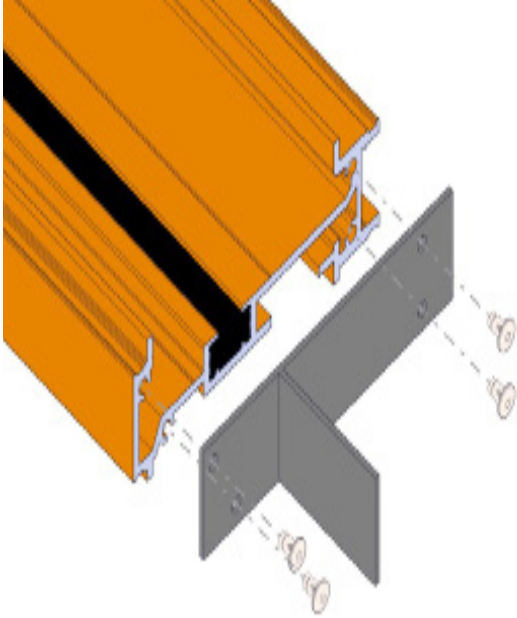
Install the bottom unit in place following the QWP standard nail fin installation guide. Check the unit has the nail fin removed on the top side where the stack mull will go.

3



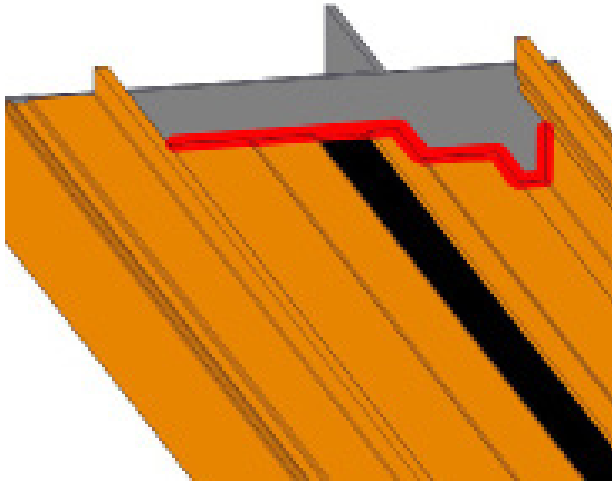
Note the orientation of the stack mull interior and exterior sides. Exterior side will have weep slots. Note orientation for the end dams (left and right as seen from the exterior side of the window).

4



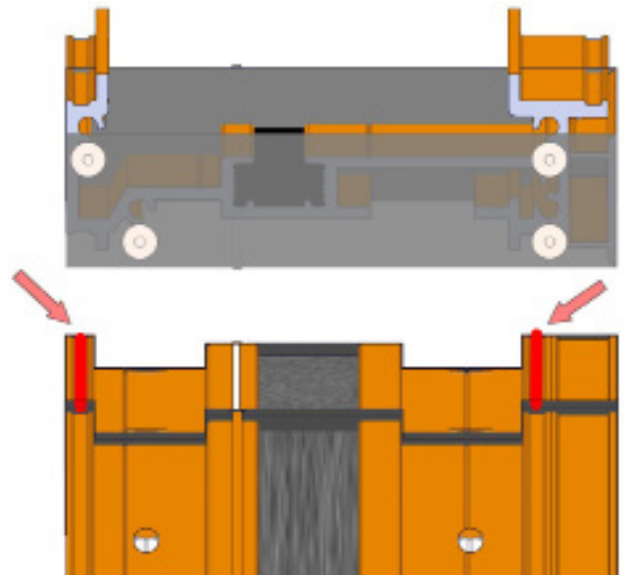
Install the end dam on the end of the stack mull using the 4 included pop rivets (right side shown). Repeat for the other end of the stack mull.

5



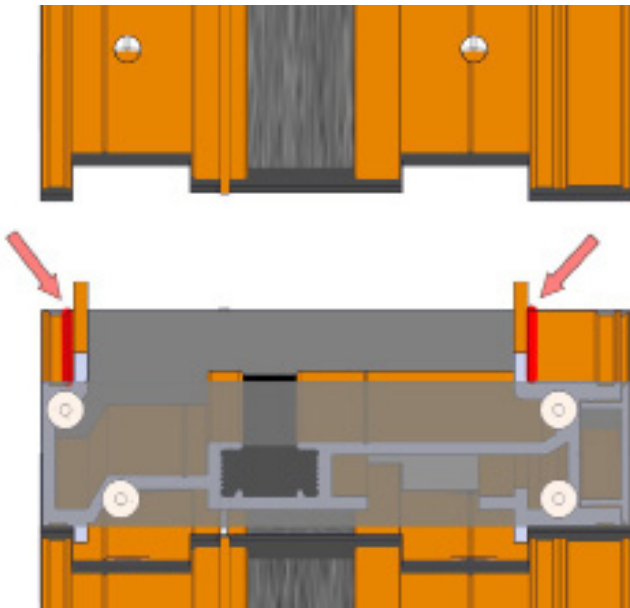
Apply a continuous bead of silicone along the entire inside of the edge of the end dam following the contour of the mull. Repeat for the other end.

6



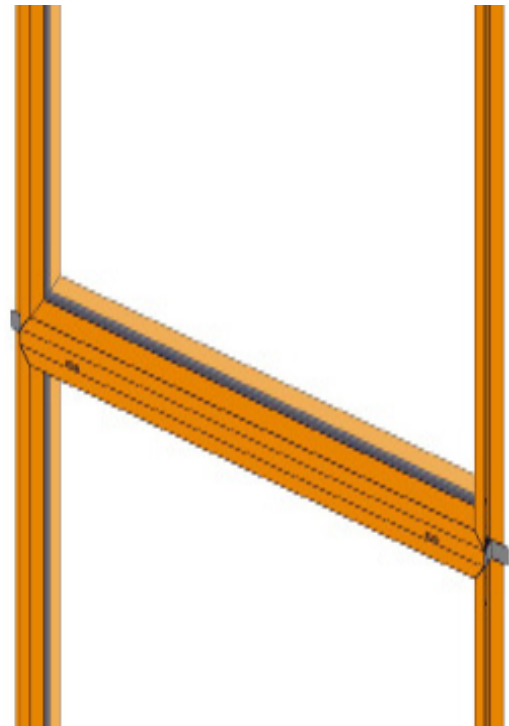
Apply two continuous beads of silicone on top of the first unit, the full length of the unit as shown. Set the stack mull on top of the first unit.

7



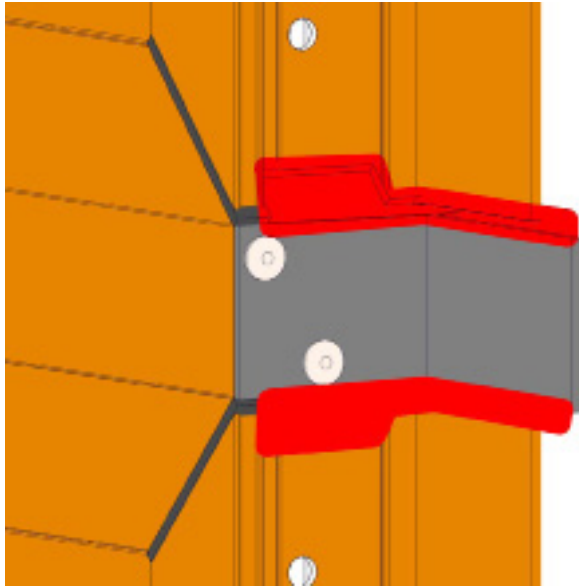
With the stack mull in place, apply two continuous beads of silicone on top of the mull along its full length as shown. Set the second unit on top of the stack mull.

8



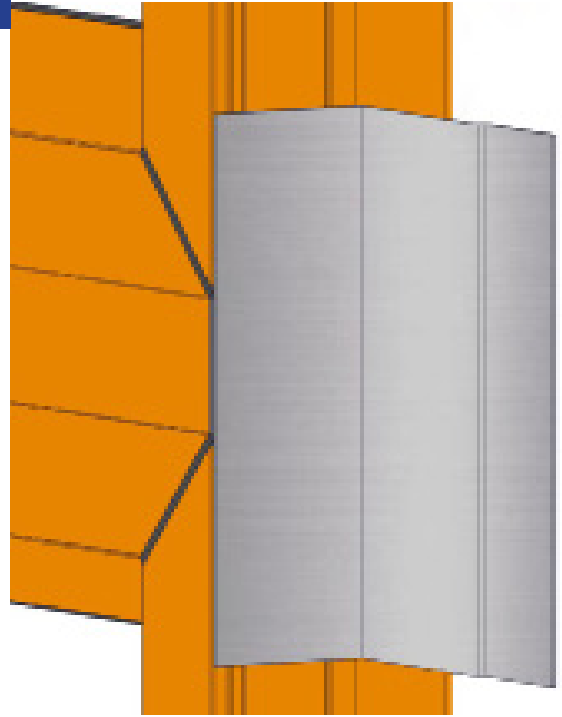
Shim, adjust and secure units in the opening per the QWP standard nail fin installation guide.

9



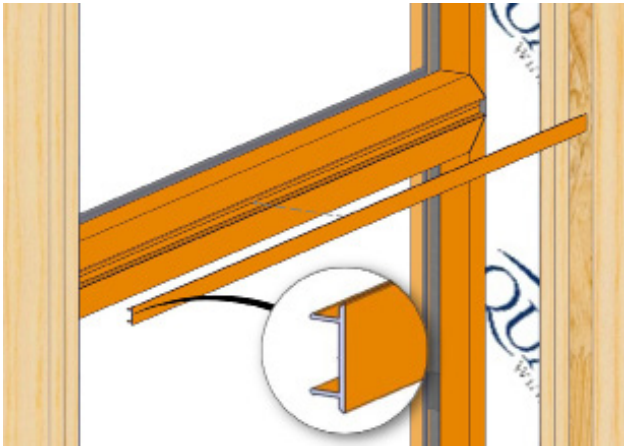
Use silicone to seal the entire area between the stack mull and top/bottom units. Do this for both sides of the mull.

10



Apply self-adhesive flashing tape over the mull area and nail fins.

11



Snap into place the interior aluminum snap cover to complete mull install.

Finish unit install per the QWP nail fin installation guide.



Installation Guidelines For Opticore Nail Fin Products with Stack Mull

If this set of instructions doesn't match your installation method or wall conditions please check our website listed below for other options, or call the office.

Scan here for a digital version of these guidelines in English



Scan here for a digital version of these guidelines in Spanish



Or go to: <https://www.quakercommercialwindows.com/resources/installation-instructions-english/>

Or go to: <https://www.quakercommercialwindows.com/installation-instructions-spanish/>

