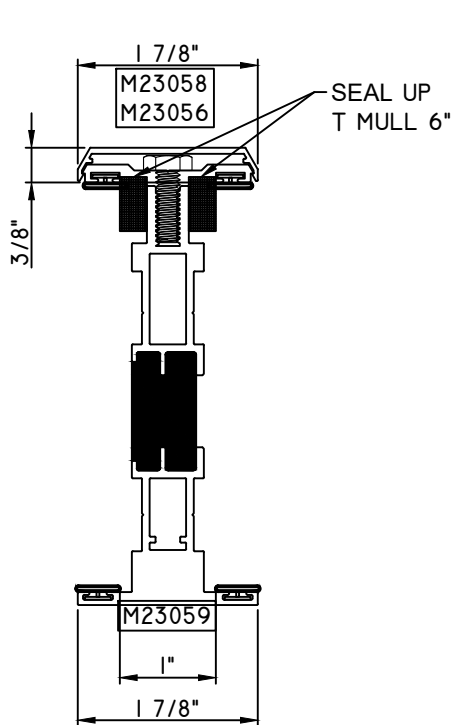




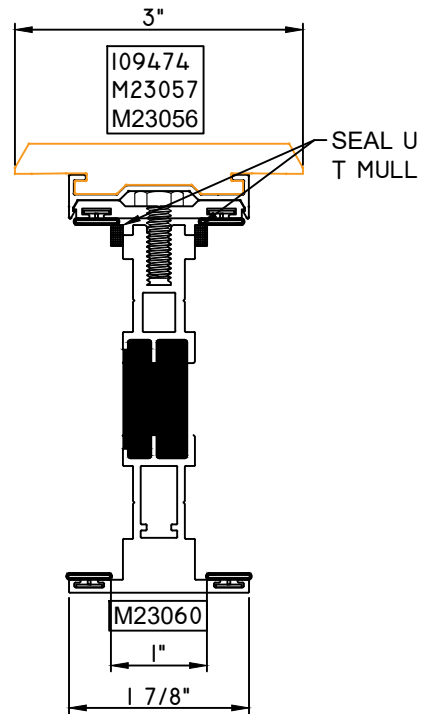
CITYLINE/TIMBERLINE 1" T MULL



T-MULL

- M23059 - T-MULL
- M23056 - BASE
- M23058 - CAP
- BPN-9159 - W.S. (QTY. 4)
- MH1/4 20X3/4 - BOLTS (18" APROX. O.C.)
- 5228 - ANCHOR (QTY. 2)
- MPS-8X1 1/2 - FASTENERS (QTY. 2)

CAN ONLY BE USED WITH C600

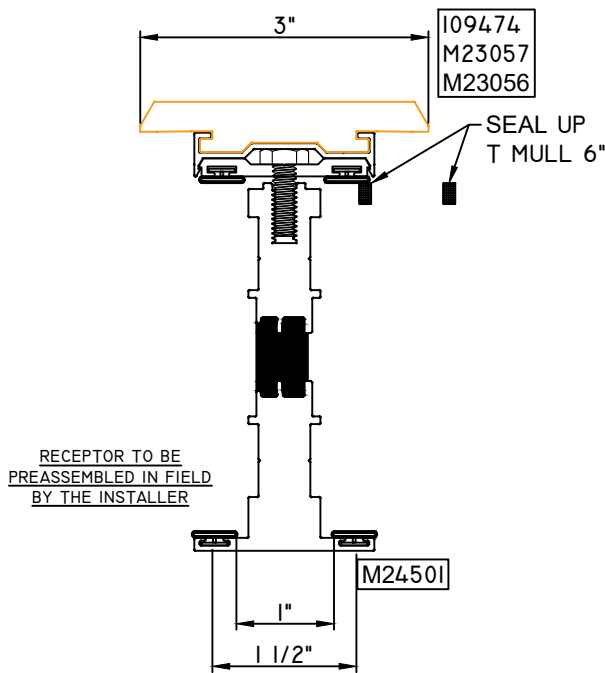


T-MULL

- M23060 - T-MULL
- M23056 - BASE
- M23057 - CAP
- 109474 - WOOD CAP
- BPN-9159 - W.S. (QTY. 4)
- MH1/4 20X3/4 - BOLTS (18" APROX. O.C.)
- 5228 - ANCHOR (QTY. 2)
- MPS-8X1 1/2 - FASTENERS (QTY. 2)

CAN ONLY BE USED WITH W600

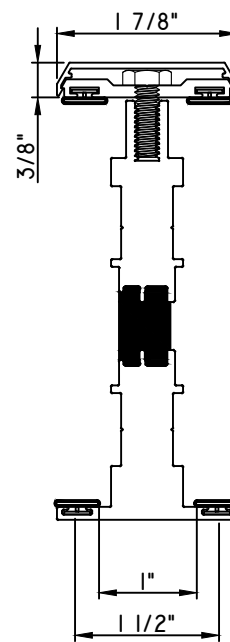
CITYLINE/TIMBERLINE 1" T MULL



T-MULL

- M24501 - T-MULL
- M23056 - BASE
- M23057 - CAP
- 109474 - WOOD CAP
- BPN-9159 - W.S. (QTY. 4)
- MH1/4 20X3/4 - BOLTS (18" APROX. O.C.)
- 5228 - ANCHOR (QTY. 2)
- MPS-8X1 1/2 - FASTENERS (QTY. 2)

CAN ONLY BE USED WITH W600



T-MULL

- M24502 - T-MULL
- M23056 - BASE
- M23057 - CAP
- 109474 - WOOD CAP
- BPN-9159 - W.S. (QTY. 4)
- MH1/4 20X3/4 - BOLTS (18" APROX. O.C.)
- 5228 - ANCHOR (QTY. 2)
- MPS-8X1 1/2 - FASTENERS (QTY. 2)

CAN ONLY BE USED WITH W600