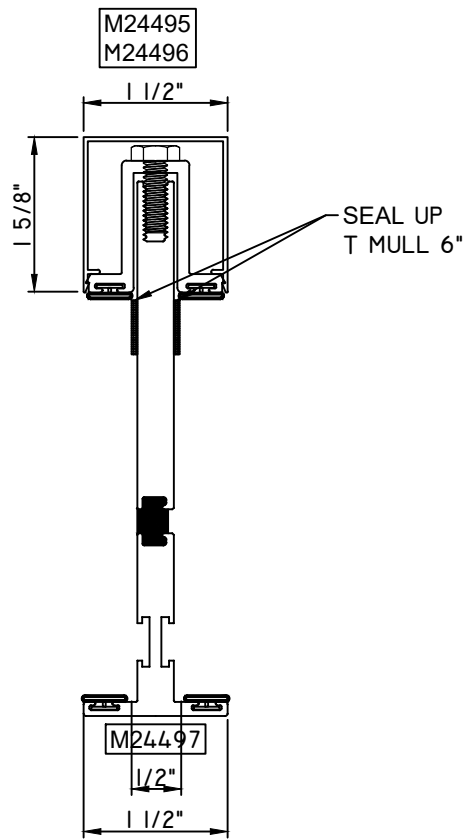




# CITYLINE/TIMBERLINE 1/2" DEEP CAP T MULL



## T-MULL

- M24497 - T-MULL (New Die)
- M24495 - BASE (New Die)
- M24496 - CAP (New Die)
- BPN-9159 - W.S. (QTY. 4)
- MH1/4 20X3/4 - BOLTS (18" APROX. O.C.)
- TBD - ANCHOR (QTY. 2) (NEW ANCHOR)
- MPS-8X1 1/2 - FASTENERS (QTY. 2)

**CAN ONLY BE USED WITH C600**