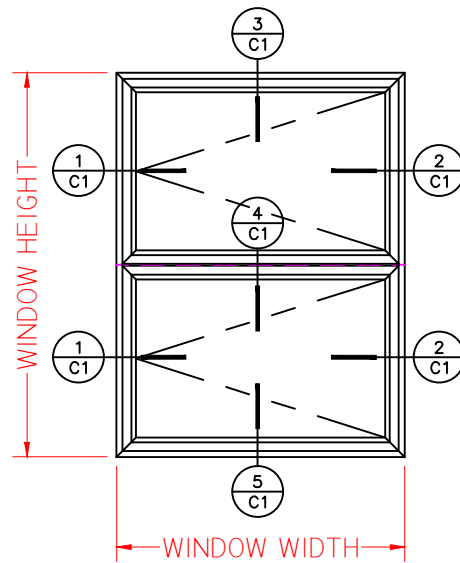
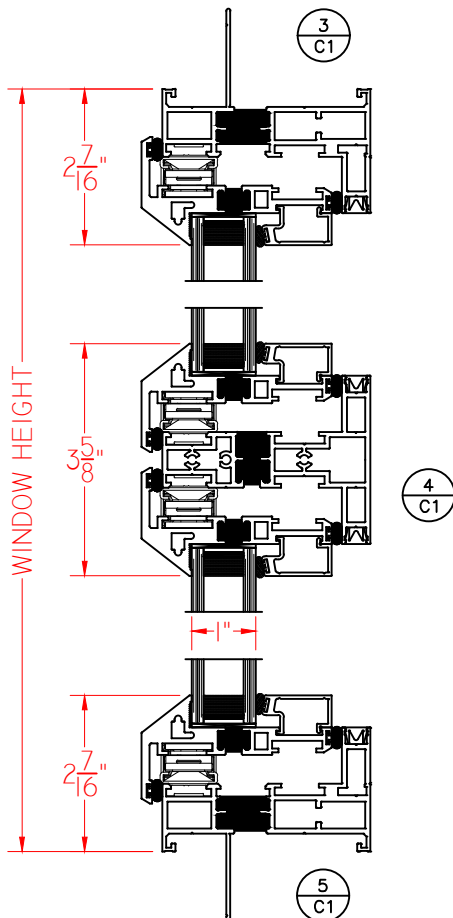
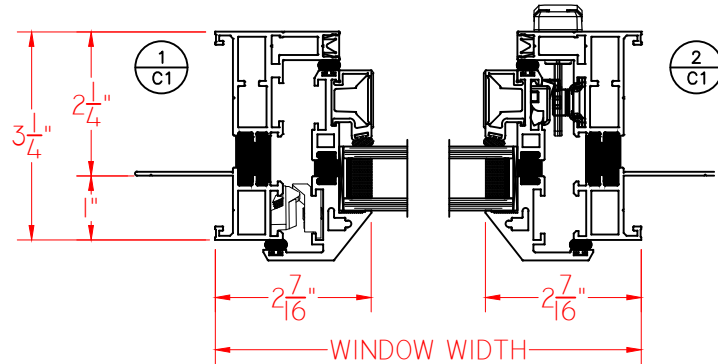


EDGE LINE CASEMENT 2 TALL CONTINUOUS FRAME PUSH OUT



ELEVATION SCALE 1/2" = 1'-0"