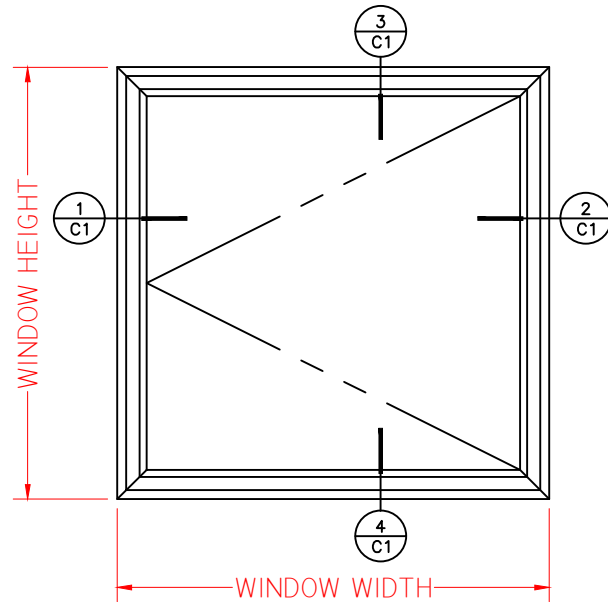
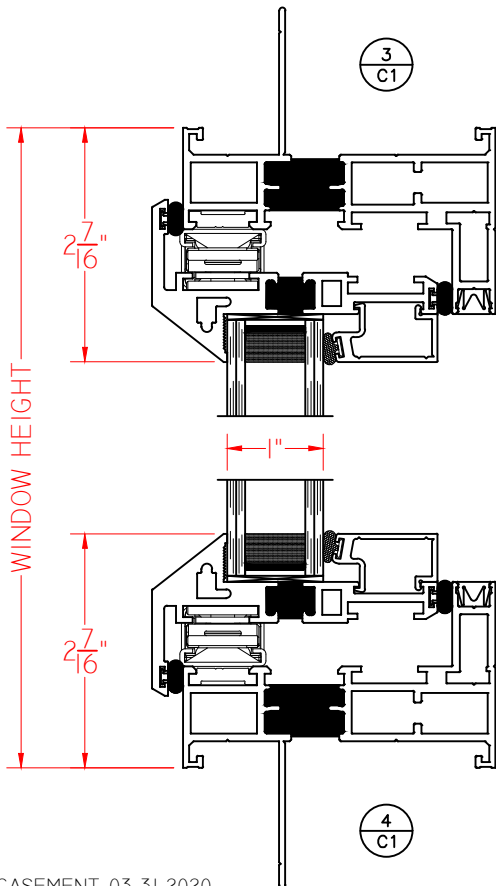
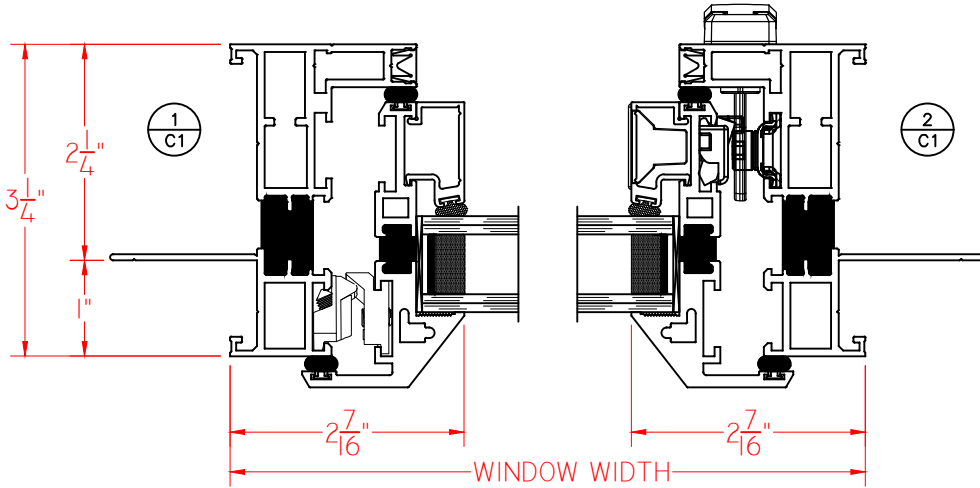


EDGE LINE CASEMENT PUSHOUT



ELEVATION SCALE $3/4" = 1'-0"$