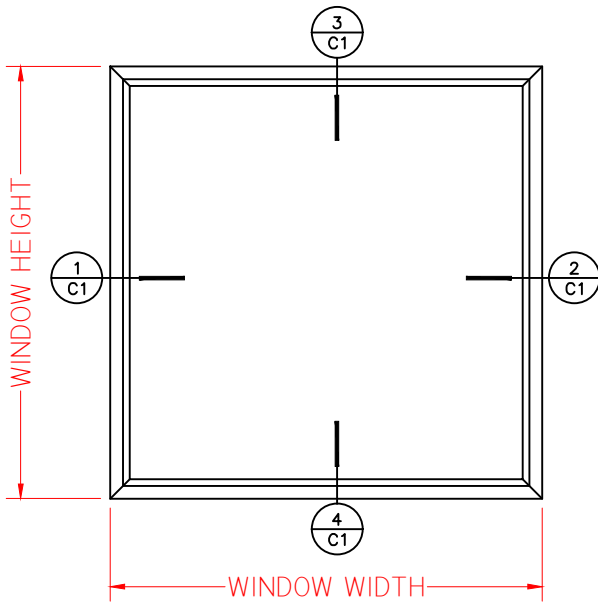
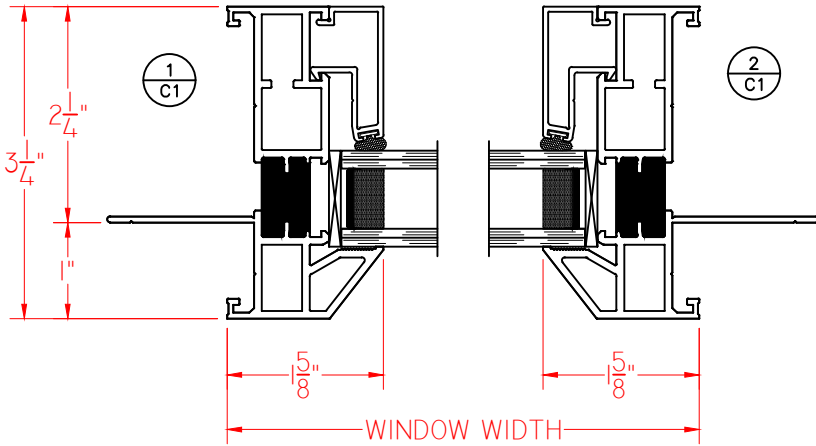


# EDGE LINE FIXED



ELEVATION SCALE 3/4" = 1'-0"

