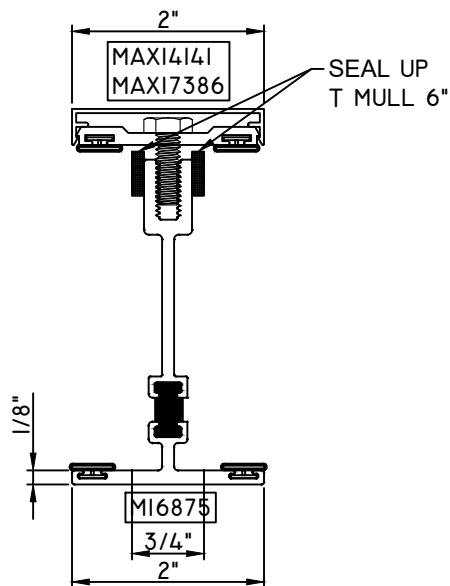


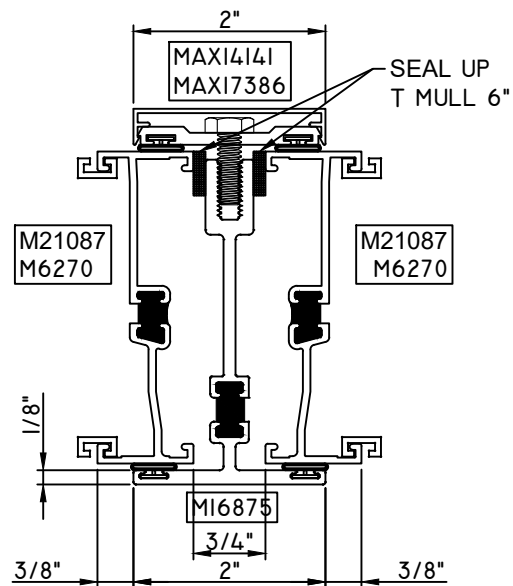
# EDGE LINE T MULL



## T-MULL

M16875 - T-MULL  
 MAX17386 - BASE  
 MAX14141 - CAP  
 BPN-9159 - W.S. (QTY. 4)  
 MH1/4 20X3/4 - BOLTS (18" APROX. O.C.)  
 M13404 - L-ANGLE (QTY. 2)  
 MPS-8X1 1/2 - FASTENERS (QTY. 4)

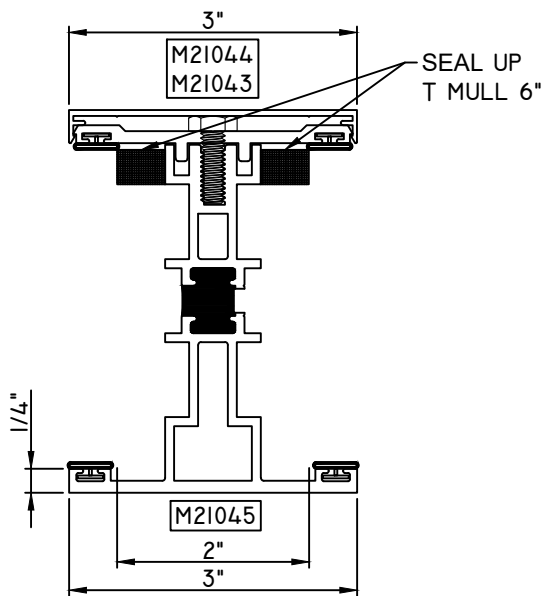
**MUST BE USED WITH STANDARD  
 3 1/4" RECEPTOR & SUBSILLS**



## T-MULL/1" STACK MULL LEFT/RIGHT

M16875 - T-MULL  
 MAX17386 - BASE  
 MAX14141 - CAP  
 M21087 - 1" STACK MULL LEFT/RIGHT

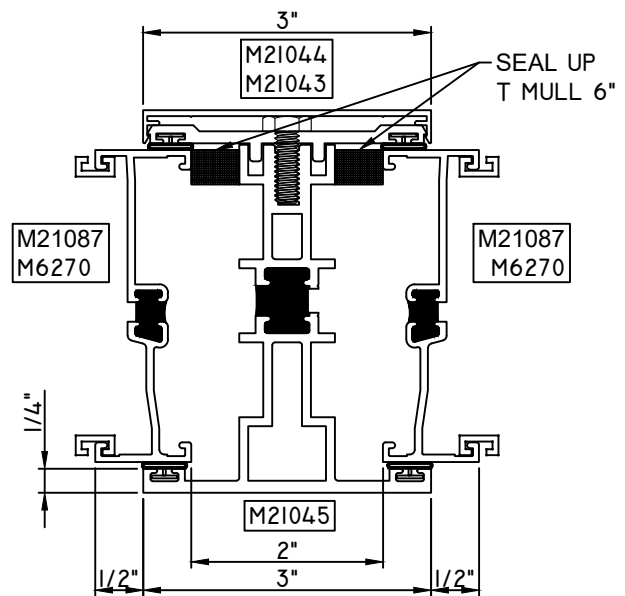
# EDGE LINE T MULL



## HEAVY WALL T-MULL

M21045 - T-MULL  
M21043 - BASE  
M21044 - CAP  
BPN-9159 - W.S. (QTY. 4)  
MH1/4 20X3/4 - BOLTS (18" APROX. O.C.)  
M13404 - L-ANGLE (QTY. 2)  
MPS-8X1 1/2 - FASTENERS (QTY. 4)

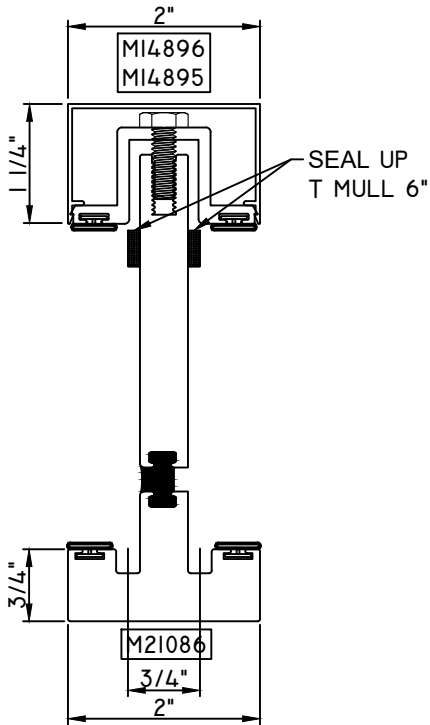
**MUST BE USED WITH HEAVY WALL  
3 1/4" RECEPTOR & SUBSILLS**



## HEAVY WALL T-MULL/1" STACK MULL LEFT/RIGHT

M21045 - T-MULL  
M21043 - BASE  
M21044 - CAP  
M21087 - 1" STACK MULL LEFT/RIGHT

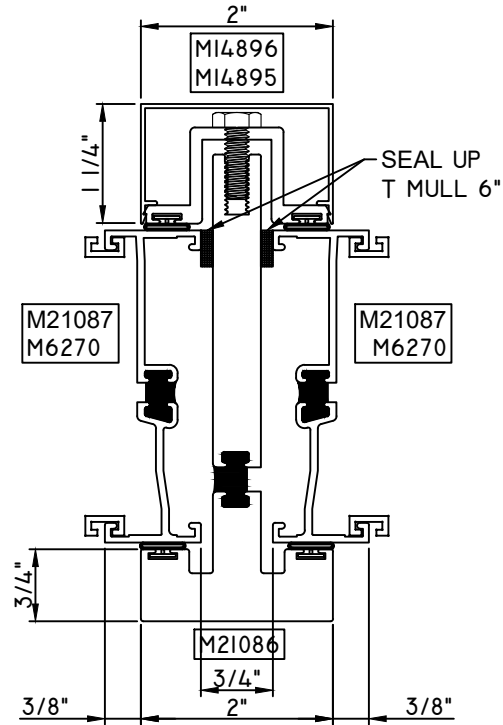
# EDGE LINE T MULL



## BULLNOSE T-MULL W/ 1 1/4" INTERIOR CAP

M21086 - T-MULL  
M14895 - BASE  
M14896 - CAP  
BPN-9159 - W.S. (QTY. 4)  
MH1/4 20X3/4 - BOLTS (18" APROX. O.C.)  
M13404 - L-ANGLE (QTY. 2)  
MPS-8X1 1/2 - FASTENERS (QTY. 4)

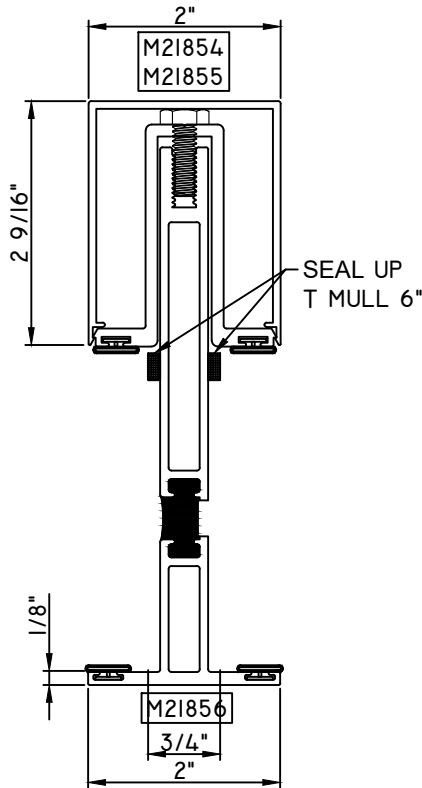
**CAN'T BE USED WITH RECEPTOR &  
SUBSILL INSTALLATION**



## BULLNOSE T-MULL W/ 1 1/4" INTERIOR CAP / 1" STACK MULL LEFT/RIGHT

M21086 - T-MULL  
M14895 - BASE  
M14896 - CAP  
M21087 - 1" STACK MULL LEFT/RIGHT  
**CAN'T BE USED WITH RECEPTOR &  
SUBSILL INSTALLATION**

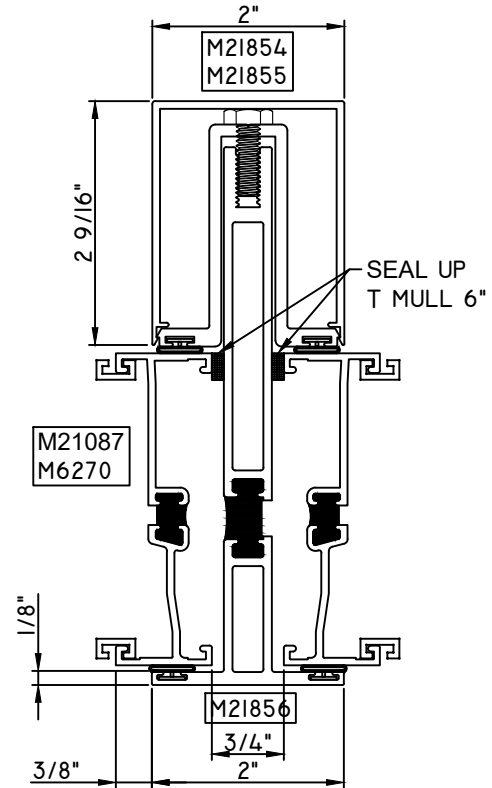
# EDGE LINE T MULL



## T-MULL W/ 2 9/16" INTERIOR CAP

M21856 - T-MULL  
M21855 - BASE  
M21854 - CAP  
BPN-9159 - W.S. (QTY. 4)  
MH1/4 20X3/4 - BOLTS (18" APROX. O.C.)  
M13404 - L-ANGLE (QTY. 2)  
MPS-8X1 1/2 - FASTENERS (QTY. 4)

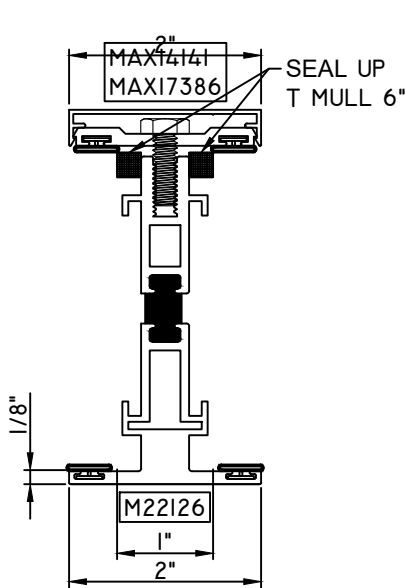
**MUST BE USED WITH STANDARD  
3 1/4" RECEPTOR & SUBSILLS**



## T-MULL W/ 2 9/16" INTERIOR CAP/ 1" STACK MULL LEFT

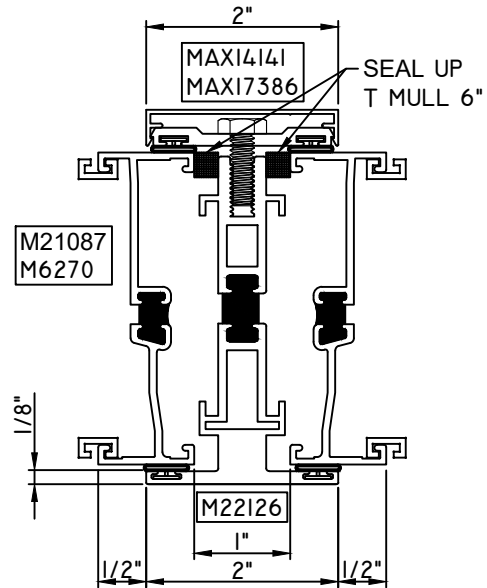
M21856 - T-MULL  
M21855 - BASE  
M21854 - CAP  
M21087 - 1" STACK MULL LEFT  
**MUST BE USED WITH STANDARD  
3 1/4" RECEPTOR & SUBSILLS**

# EDGE LINE T MULL



## T-MULL

- M22126 - T-MULL
- MAX17386 - BASE
- MAX14141 - CAP
- BPN-9159 - W.S. (QTY. 4)
- MH1/4 20X3/4 - BOLTS (18" APROX. O.C.)
- PARTS FOR NON NAIL FIN INSTALL:
- M13404 - L-ANGLE (QTY. 2)
- MPS-8X1 1/2 - FASTENERS (QTY. 4)
- PARTS FOR NAIL FIN INSTALL:
- M22127 - Z-CLIP (QTY. 2)
- M23616 - H450 Z-CLIP (QTY. 2)

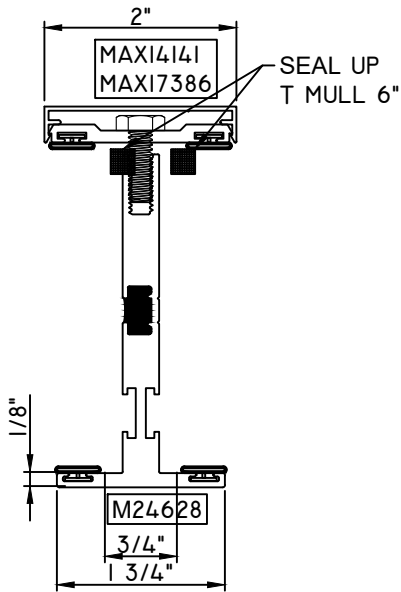


## T-MULL/1" STACK MULL LEFT/RIGHT

- M22126 - T-MULL
- MAX17386 - BASE
- MAX14141 - CAP
- M21087 - 1" STACK MULL LEFT/RIGHT

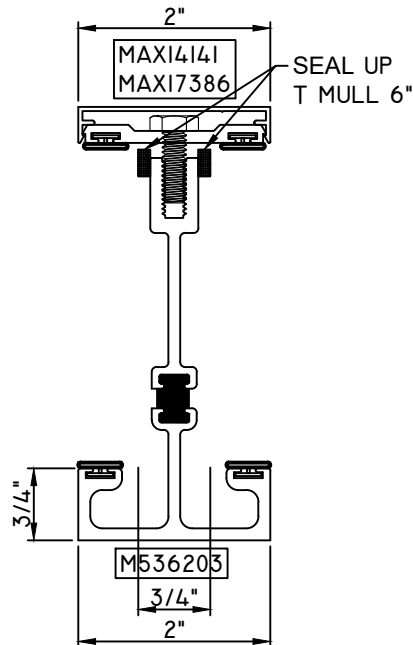
**MUST BE USED WITH STANDARD  
3 1/4" RECEPTOR & SUBSILLS**

# EDGE LINE T MULL



## T-MULL

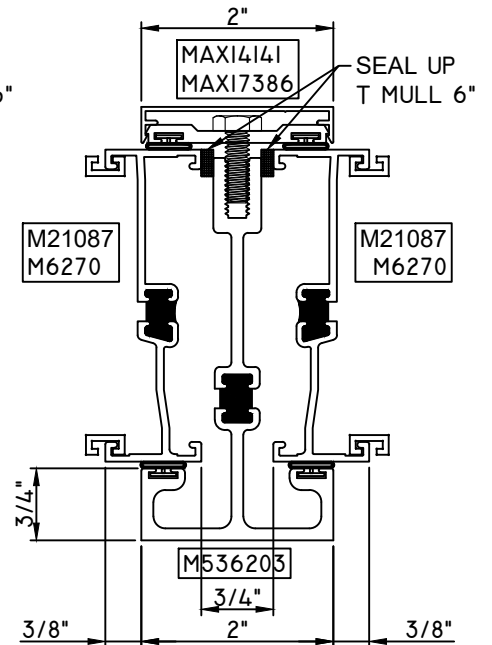
- M24628 - T-MULL
- MAX17386 - BASE
- MAX14141 - CAP
- BPN-9159 - W.S. (QTY. 4)
- MH1/4 20X3/4 - BOLTS (18" APROX. O.C.)
- PARTS FOR NON NAIL FIN INSTALL:
- M13404 - L-ANGLE (QTY. 2)
- MPS-8X1 1/2 - FASTENERS (QTY. 4)
- PARTS FOR NAIL FIN INSTALL:
- M22127 - Z-CLIP (QTY. 2)
- M23616 - H450 Z-CLIP (QTY. 2)



## T-MULL

- M536203 - T-MULL
- M17386 - BASE
- MAX14141 - CAP
- BPN-9159 - W.S. (QTY. 4)
- MH1/4 20X3/4 - BOLTS (18" APROX. O.C.)
- M13404 - L-ANGLE (QTY. 2)
- MPS-8X1 1/2 - FASTENERS (QTY. 4)

**MUST BE USED WITH STANDARD  
2 3/8" RECEPTOR & SUBSILL**

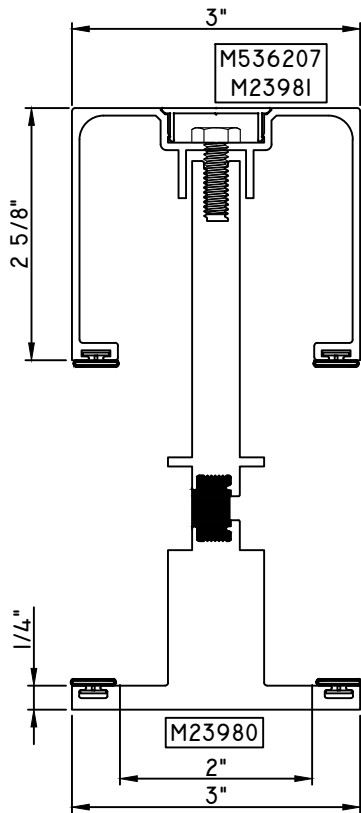


## T-MULL/1" STACK MULL LEFT/RIGHT

- M536203 - T-MULL
- M17386 - BASE
- MAX14141 - CAP
- M21087 - 1" STACK MULL LEFT/RIGHT
- MUST BE USED WITH STANDARD  
2 3/8" RECEPTOR & SUBSILL**

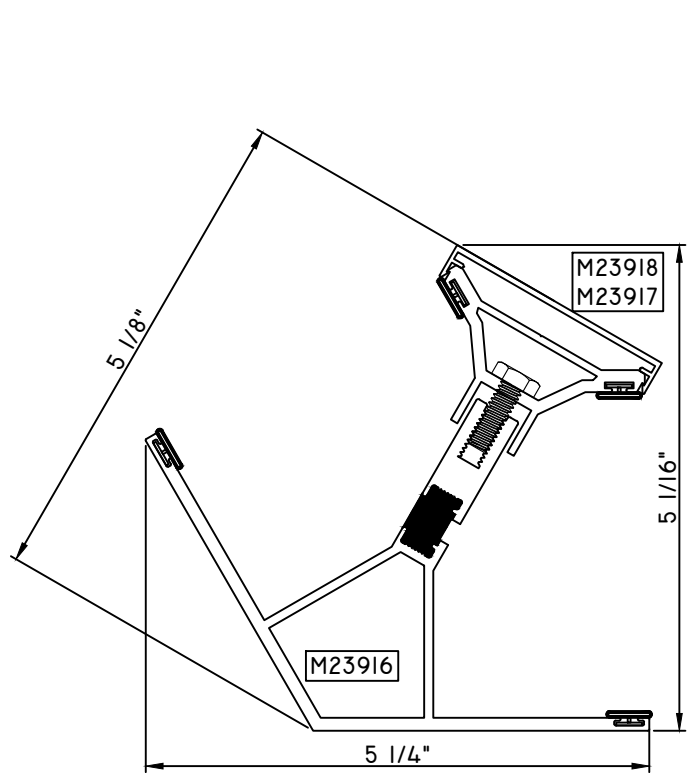


# EDGE LINE T MULL



## T-MULL

- M23980 - T-MULL
- M23981 - BASE
- M536207 - CAP
- BPN-9159 - W.S. (QTY. 4)
- MH1/4 20X3/4 - BOLTS (18" APROX. O.C.)
- M13404 - L-ANGLE (QTY. 2)
- MPS-8X1 1/2 - FASTENERS (QTY. 4)

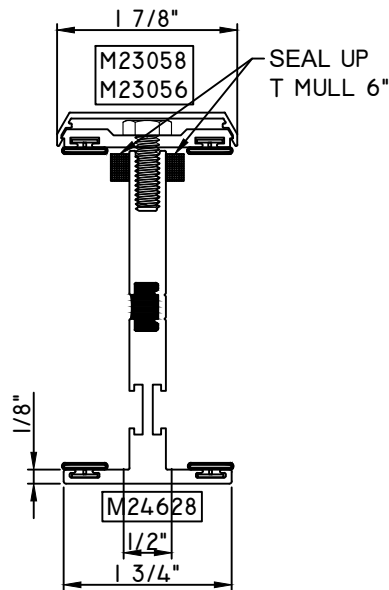


## 120° T-MULL

- 23916 - T-MULL
- 23917 - BASE
- 23918 - CAP
- BPN-9159 - W.S. (QTY. 4)
- MH1/4 20X3/4 - BOLTS (18" APROX. O.C.)
- MPS-8X1 1/2 - FASTENERS (QTY. 4)



# EDGE LINE T MULL



## T-MULL

M24628 - T-MULL

M23056 - BASE

M23058 - CAP

BPN-9159 - W.S. (QTY. 4)

MH1/4 20X3/4 - BOLTS (18" APROX. O.C.)

PARTS FOR NON NAIL FIN INSTALL:

M13404 - L-ANGLE (QTY. 2)

MPS-8X1 1/2 - FASTENERS (QTY. 4)

PARTS FOR NAIL FIN INSTALL:

M22127 - Z-CLIP (QTY. 2)

M23616 - H450 Z-CLIP (QTY. 2)

**MUST BE USED WITH STANDARD  
3 1/4" RECEPTOR & SUBSILLS**