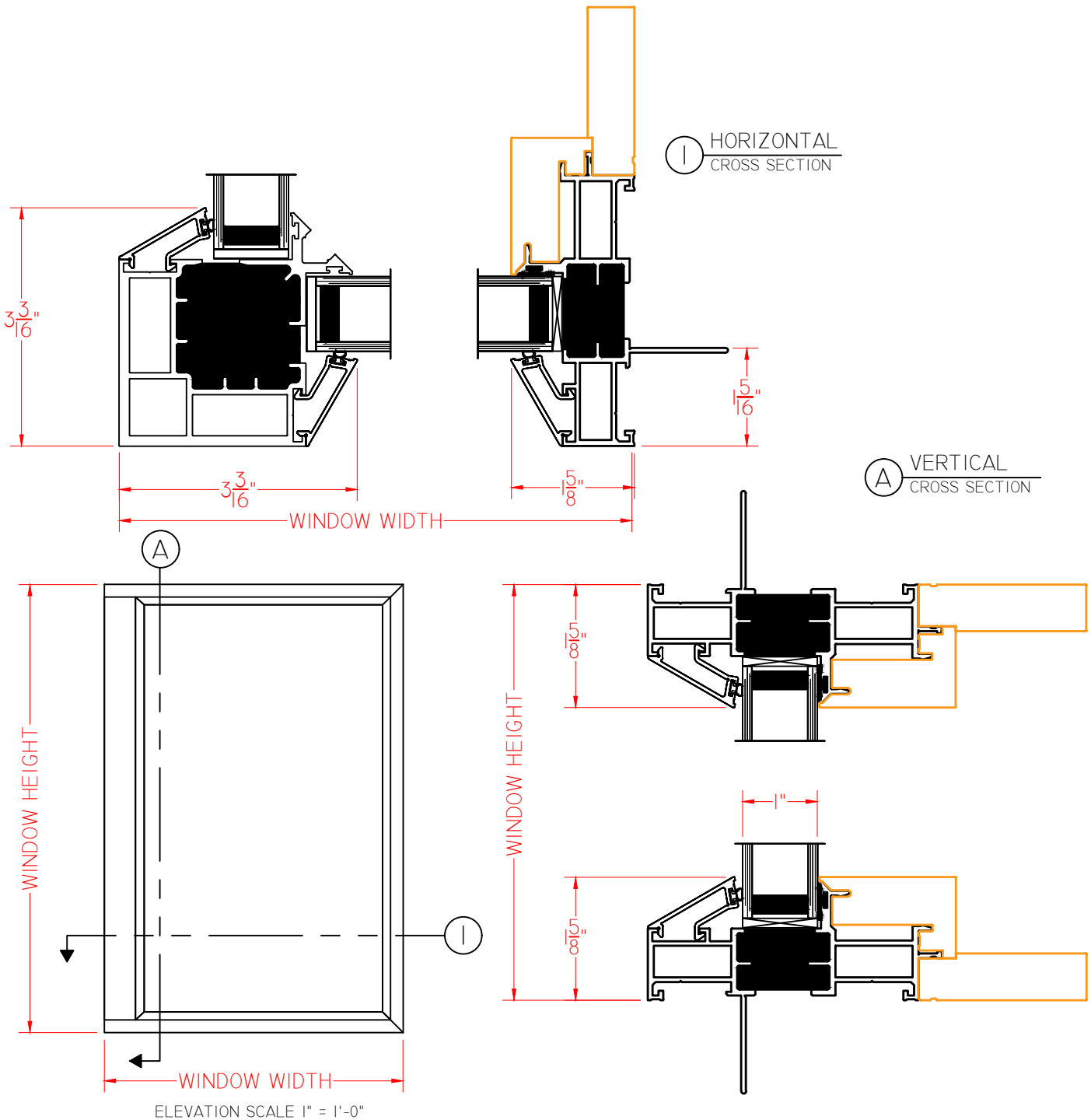


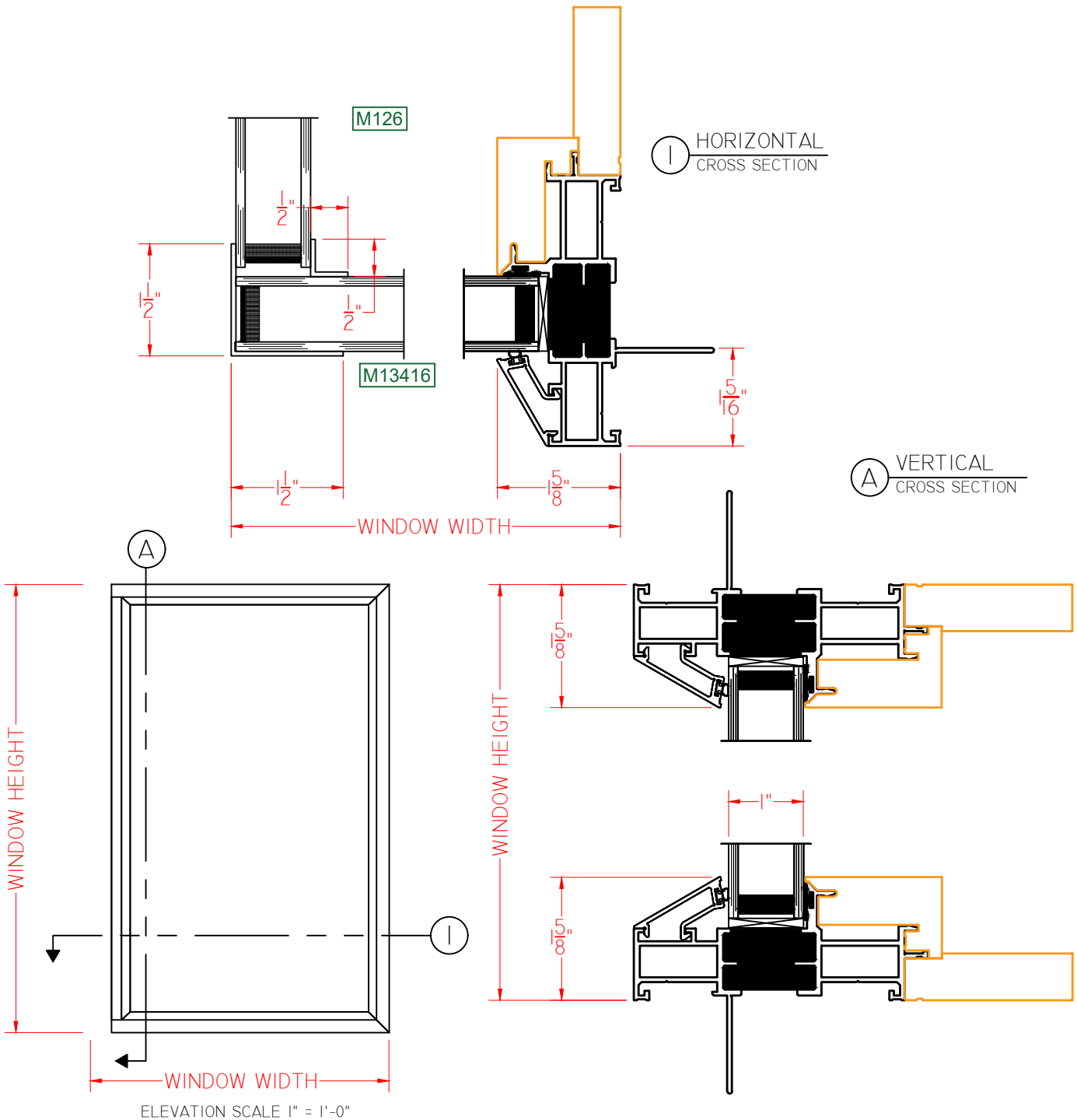


# Timberline Bevel 90° Corner Window 1" I.G.



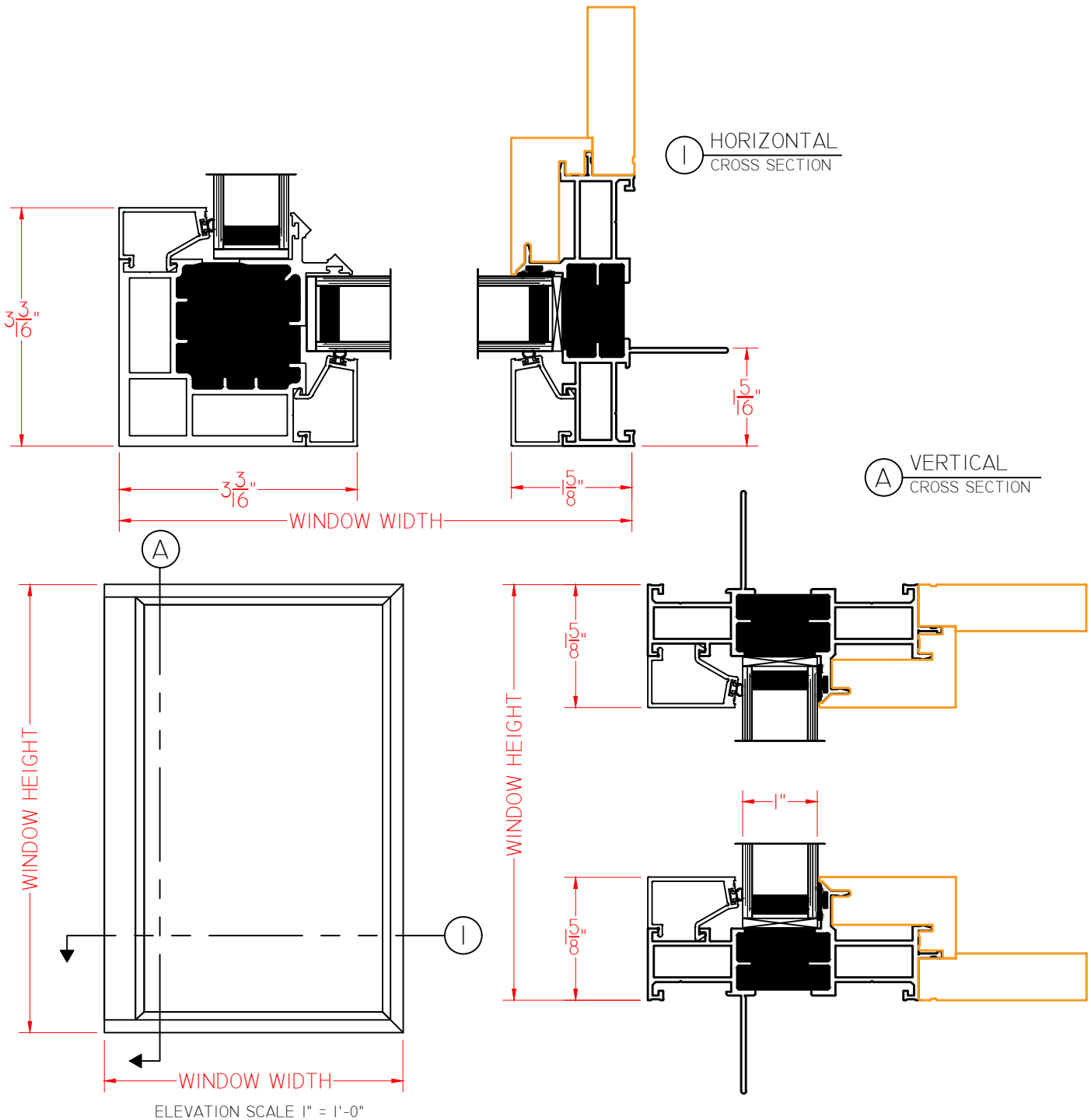


# Timberline Bevel 90° Corner Window 1" I.G. Without Corner Post



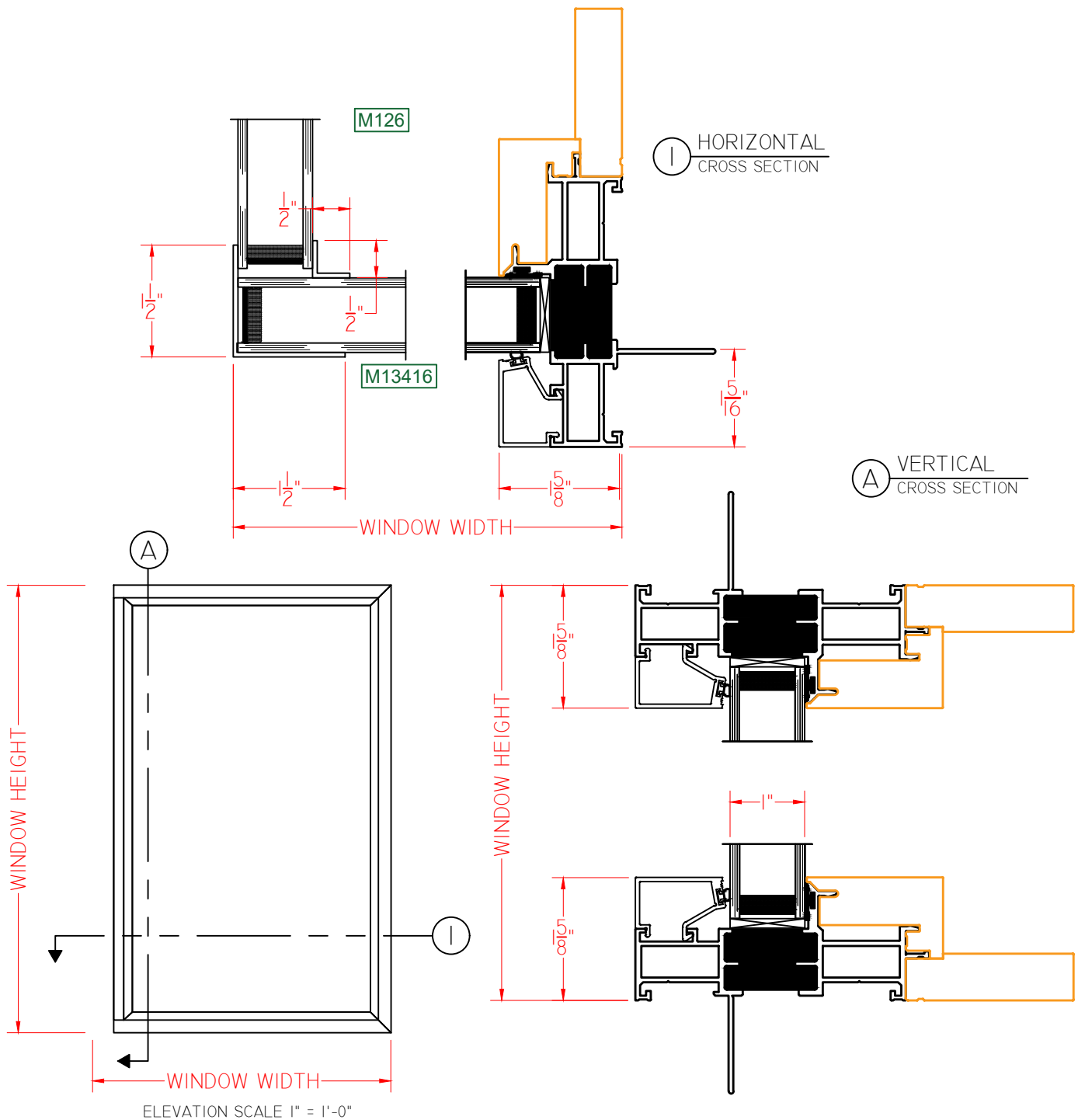


# Timberline Square 90° Corner Window 1" I.G.





# Timberline Square 90° Corner Window 1" I.G. Without Corner Post



ELEVATION SCALE 1" = 1'-0"