

# CityLine/EdgeLine M-Series Lockbox Door (M600)

## Technical Data Sheet

### Frame/Sash

- Architectural Grade 6063-T63 Aluminum
- Azon Thermal Break (Mainframe/Sash)
- 45 Degree Mitered Mainframe/Sash Corners
- Corner Key Technology
- Silicone Injected Corner Keys
- 4-1/2" Overall Frame Depth
- 2-1/4" Beveled Exterior Sightline
- 7" x 15" Lockbox or Elongated Lockbox option
- Single/French Door Options

### Glazing

- Beveled Exterior & Interior Glazing Stop
- Quanex Super Spacer
- 100% Silicone Wet Glaze
- Double Pane Insulated Glass Options
- Annealed, Tempered, Laminated and Obscure Glass Options Available

### Weather stripping

- Dual Bulb Gaskets

### Hardware

- Adjustable Barrell Hinges
- Multi-Point Lock System

### Mulling Options

- Field Applied Structural Mulls

### Grid Options

- Grids Between the Glass
- Simulated Divided Lites
- True Divided Lites

### Sill Options

- Standard/Low Profile/ADA

### Paint

- 2604/2605 FGIA High Performance Powder Coatings
- 30 Standard Colors
- Custom Colors available

CityLine/EdgeLine M-Series Lockbox Door (M600)		
NAFS Rating	LC-PG50	
Design Pressure (P.S.F.)	90	
Air Infiltration at 25 MPH (cfm/ft <sup>2</sup> )	0.09	
Water Resistance	7.52	
U-Value (Based on Cardinal 366 Low-E/Argon Fill)	0.39	
SHGC (Based on Cardinal 366 Low-E/Argon Fill)	0.22	
Frame Sizing	Width	Height
Minimum	24"	77"
Maximum	48"	120"

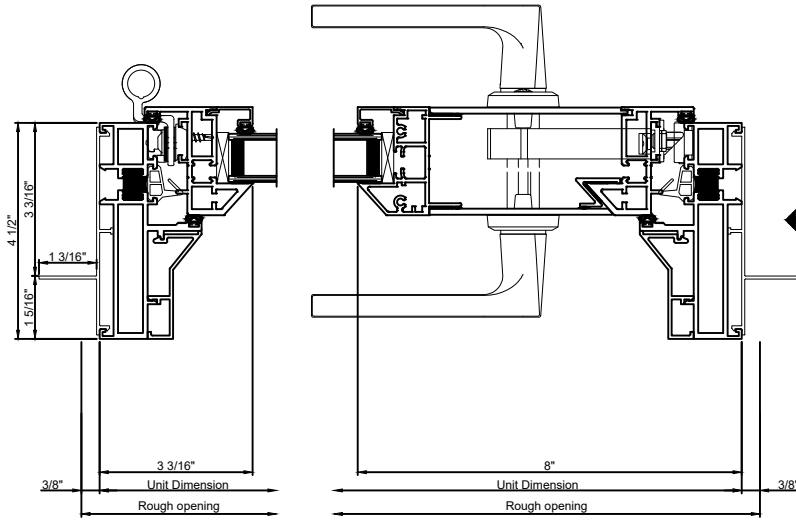


Quaker Window Products  
 504 U.S. Hwy 63 South  
 Freeburg, MO 65035  
 (800) 347-0438  
[www.quartzluxurywindows.com](http://www.quartzluxurywindows.com)

Discover More Here:

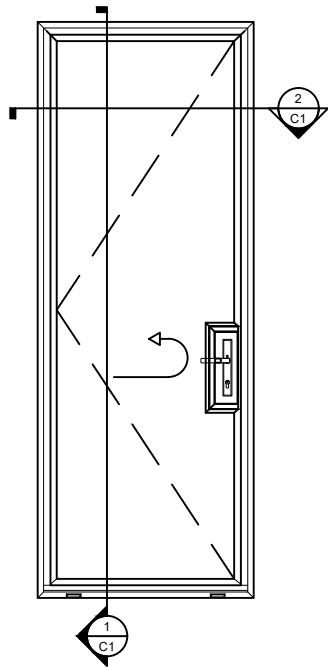
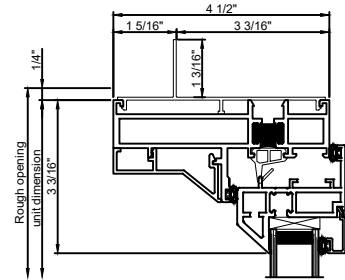


QTZ-CL/EL-M-LCKBX-0124



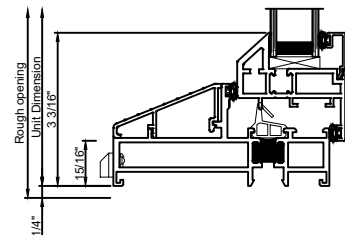
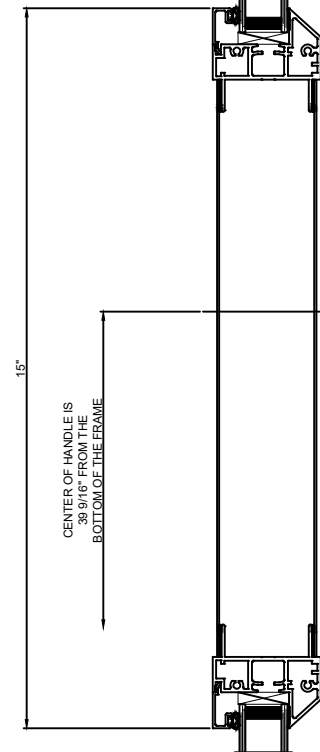
Exterior

Door cut sections 1 : 4



Window Elevation 3/8" = 1' 0"

Exterior

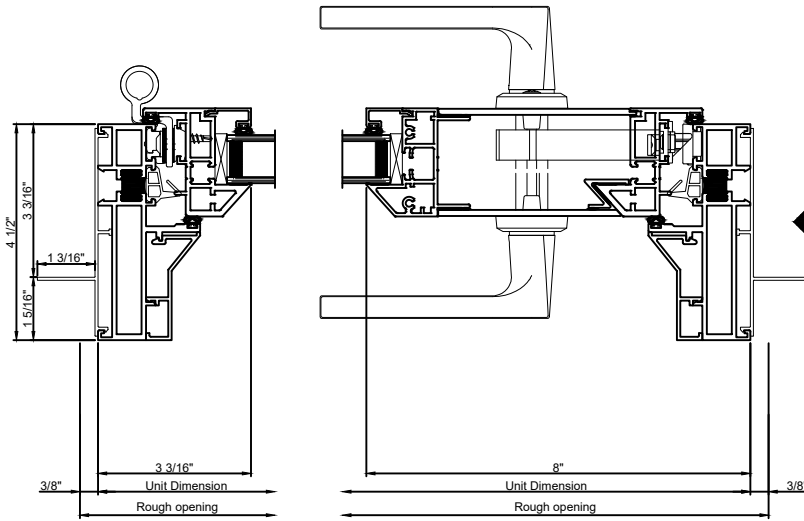


Door cut sections 1 : 4

Note: All dimensions are approximate. Quaker reserves the right to change specifications without notice.

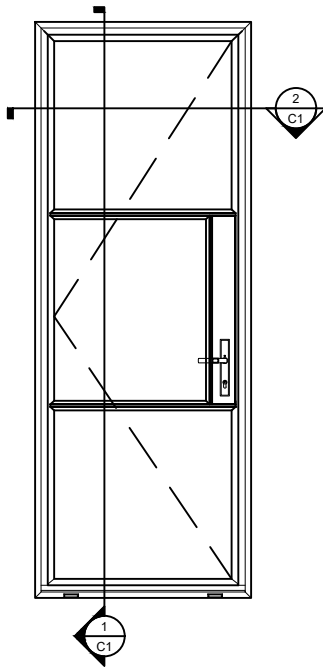
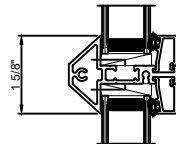
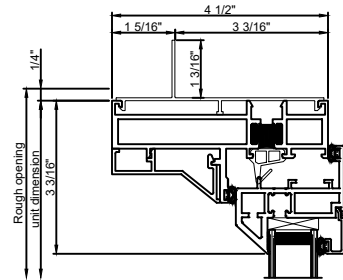
# CityLine-EdgeLine Elongated Lockbox Inswing Door

Cross section details



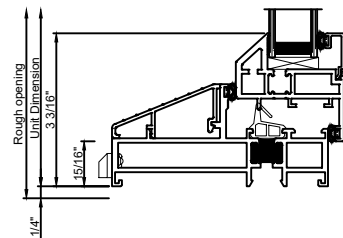
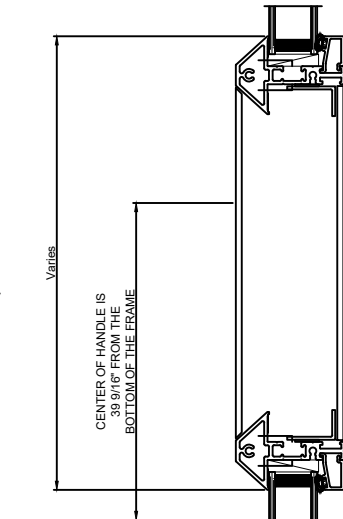
Exterior

Door cut sections 1 : 4



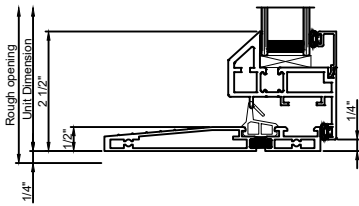
Window Elevation 3/8" = 1' 0"

Exterior



Door cut sections 1 : 4

Note: All dimensions are approximate. Quaker reserves the right to change specifications without notice.



Low Profile Sill

Door cut sections 1 : 4

Exterior

Door cut sections 1 : 4

Note: All dimensions are approximate. Quaker reserves the right to change specifications without notice.