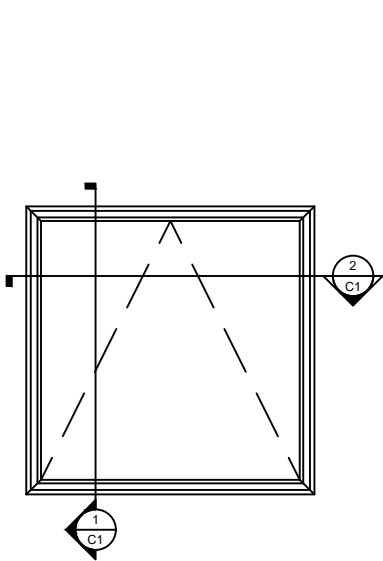
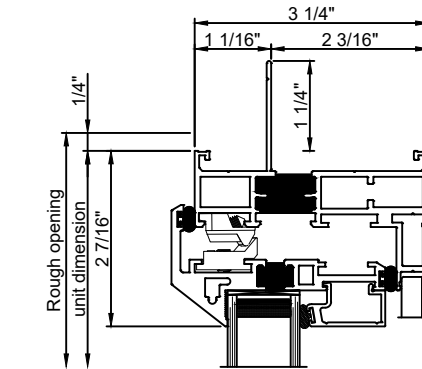


Window cut sections 3/8" = 0' 1"

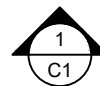
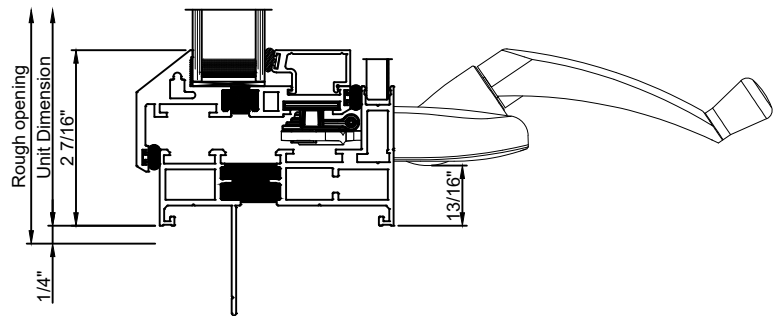
Exterior



Window Elevation 3/8" = 1' 0"

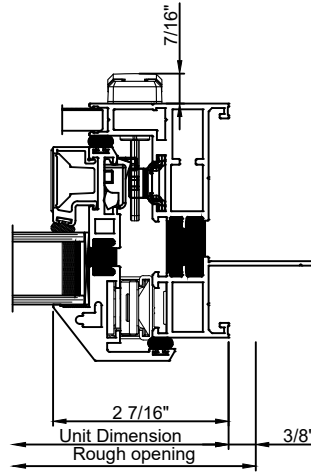
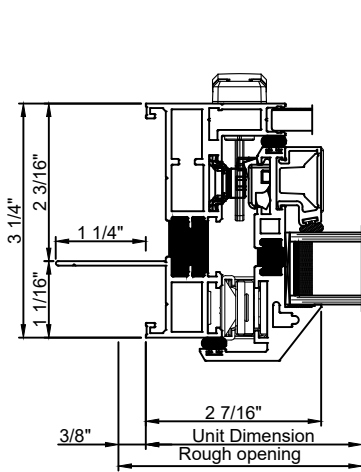


Exterior



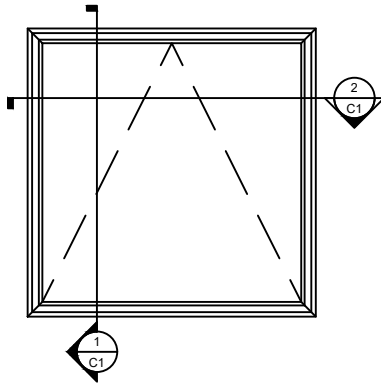
Window cut sections 3/8" = 0' 1"

Note: All dimensions are approximate. Quaker reserves the right to change specifications without notice.

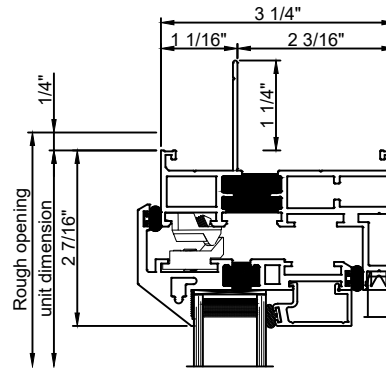


Window cut sections 3/8" = 0' 1"

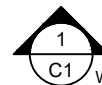
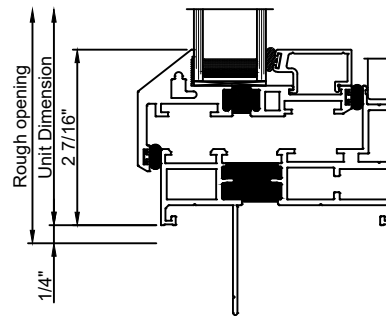
Exterior



Window Elevation 3/8" = 1' 0"

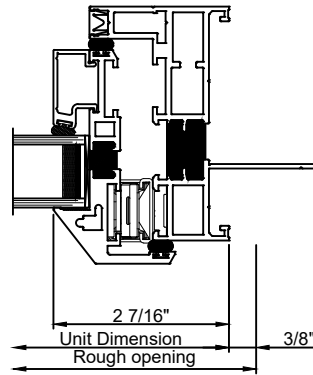
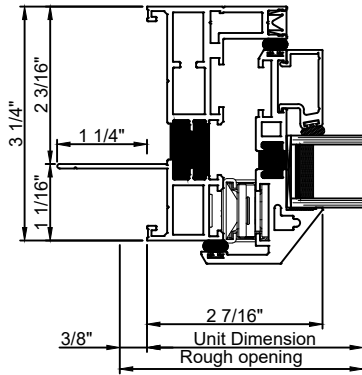


Exterior



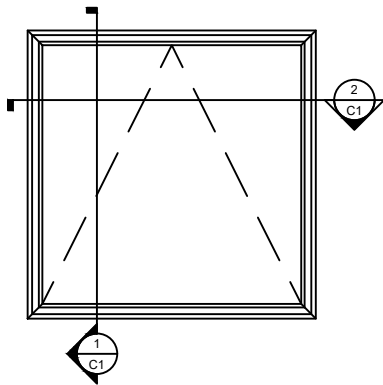
Window cut sections 3/8" = 0' 1"

Note: All dimensions are approximate. Quaker reserves the right to change specifications without notice.

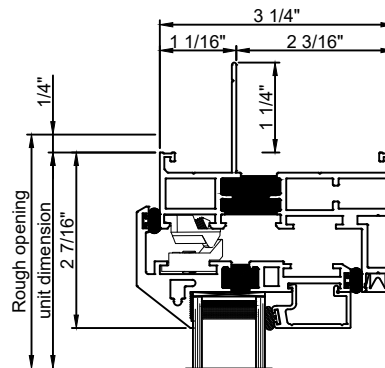


Window cut sections 3/8" = 0' 1"

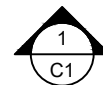
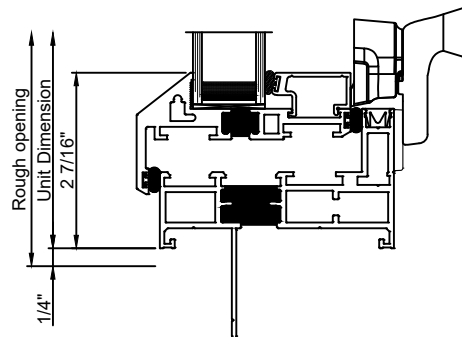
Exterior



Window Elevation 3/8" = 1' 0"



Exterior



Window cut sections 3/8" = 0' 1"

Note: All dimensions are approximate. Quaker reserves the right to change specifications without notice.