

# TimberLine Direct Set (W600/W605)

## Technical Data Sheet

### Frame/Sash

- Architectural Grade 6063-T63 Aluminum
- Azo-Core Thermal Break (Mainframe/Sash)
- 45 Degree Mitered Mainframe/Sash Corners
- Silicone Injected Corner Keys
- 4-1/8" Overall Frame Depth
- 1-5/8" Narrow Exterior Sightlines
- 2-7/8" Exterior Sightlines
- 1-1/4" Pre-Punched Nail Fin
- Pine Interior
- 4-9/16" & 6-9/16" Jamb Extension Options Available

### Mulling Options

- Continuous Frame Configurations
- Field Applied Structural Mulls

### Grid Options

- Grids Between the Glass
- Simulated Divided Lites

### Paint

- 2604/2605 FGIA High Performance Powder Coatings
- 30 Standard Colors
- Custom Colors available

### Weather stripping

- Bulb Seal Gaskets

### Glazing

- Beveled/Square Exterior Glazing Stops
- Quanex Super Spacer
- 100% Silicone Wet Glaze
- Double/Triple Insulated Glass Options
- Annealed, Tempered, Laminated and Obscure Glass Options Available

TimberLine Direct Set (W600/W605)		
NAFS Rating	AW-PG100	
Design Pressure (P.S.F.)	100	
Air Infiltration at 25 MPH (cfm/ft <sup>2</sup> )	<0.05	
Water Resistance	15	
U-Value (Based on Cardinal 366 Low-E/Argon Fill)	0.26	
SHGC (Based on Cardinal 366 Low-E/Argon Fill)	0.24	
<b>Frame Sizing</b>	<b>Width</b>	<b>Height</b>
Minimum	15"	15"
Maximum	144"	144"



Quaker Window Products  
 504 U.S. Hwy 63 South  
 Freeburg, MO 65035  
 (800) 347-0438  
[www.quartzluxurywindows.com](http://www.quartzluxurywindows.com)

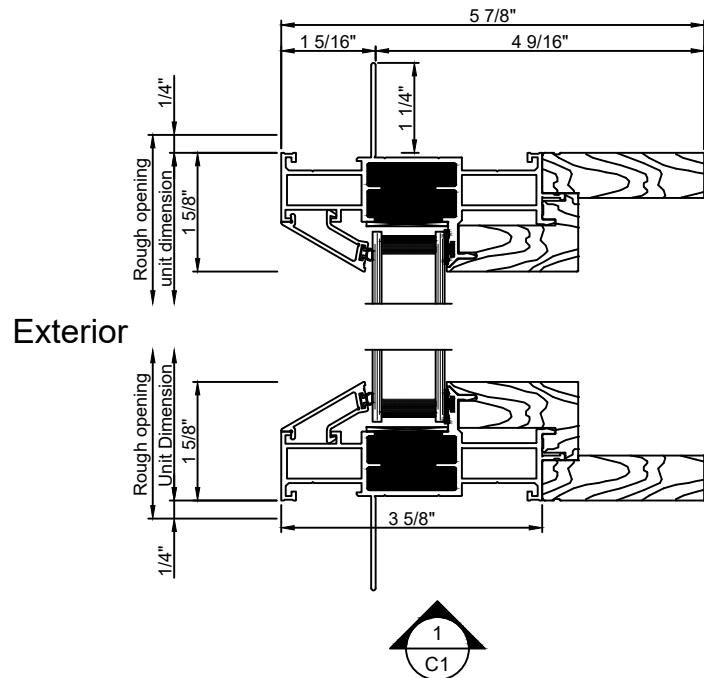
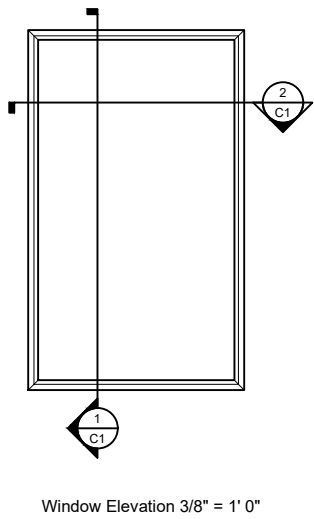
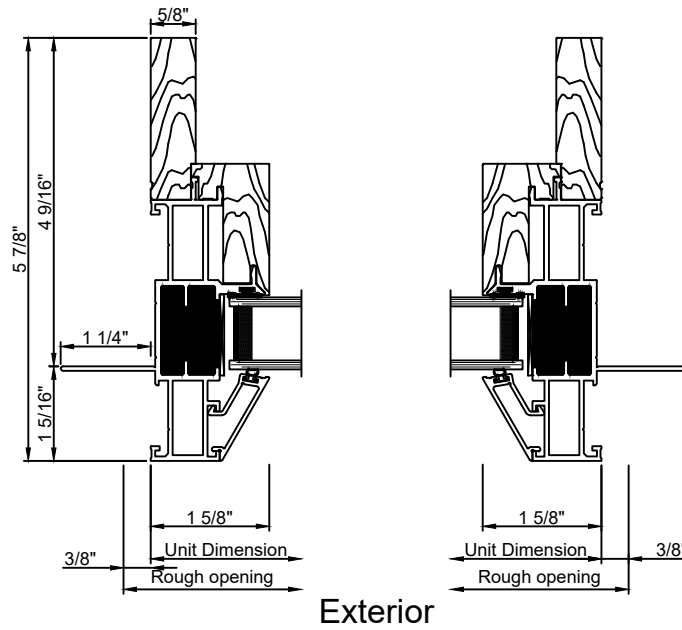
Discover More Here:



QTZ-TL-DST-0124

# TimberLine (W605) Bevel Direct Set Window

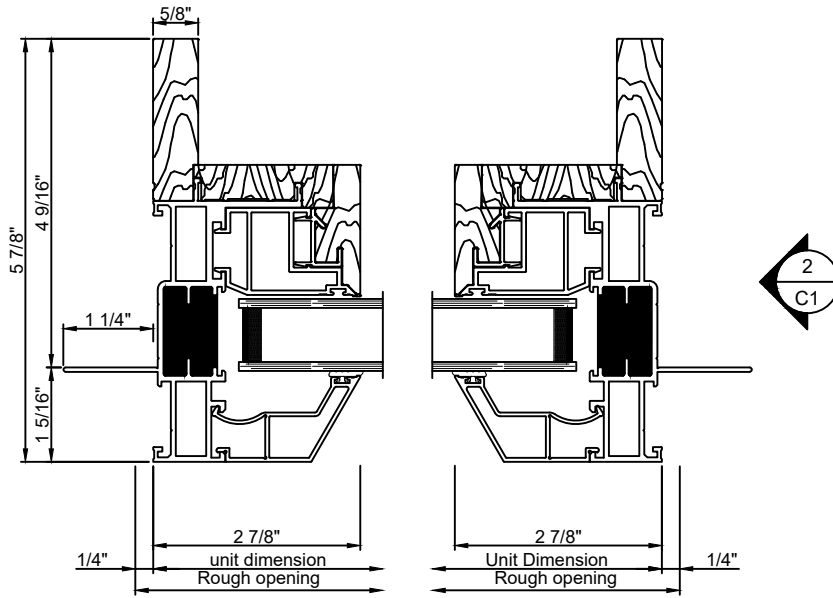
Cross section details



Note: All dimensions are approximate. Quaker reserves the right to change specifications without notice.

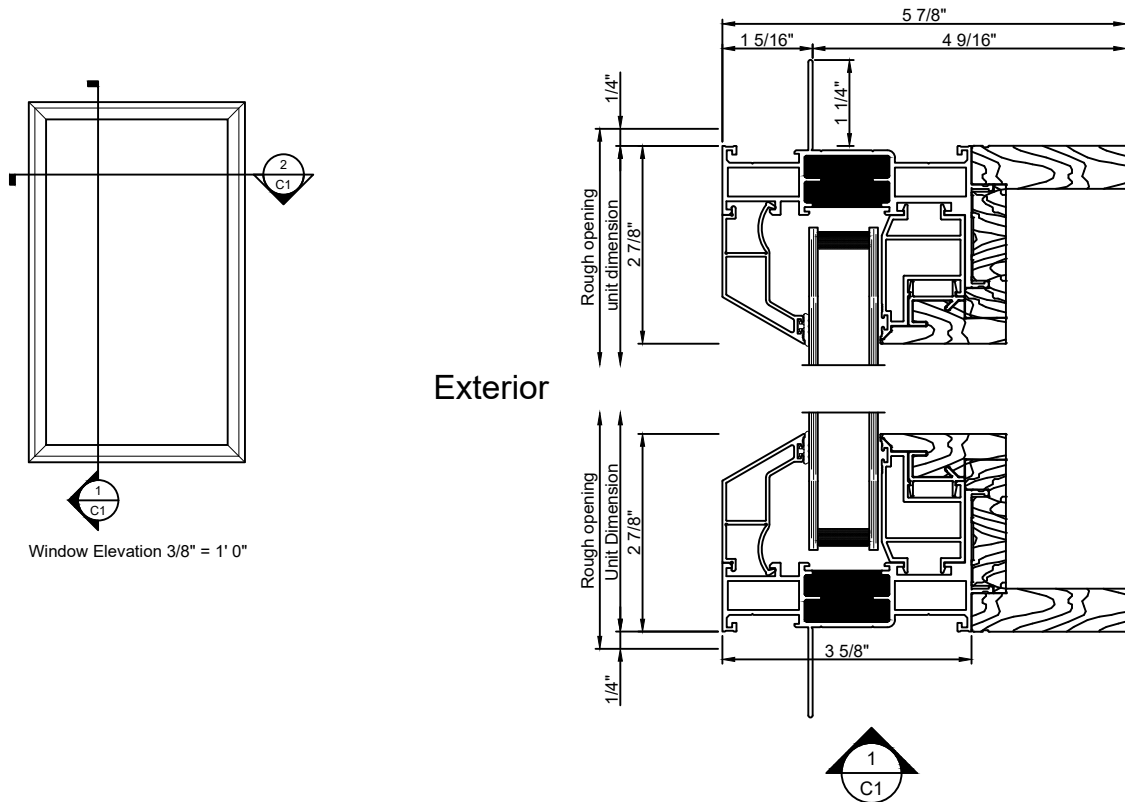
# TimberLine (W605) Bevel Direct Set Wide Window

Cross section details



Window cut sections 3/8" = 0' 1"

Exterior



Window Elevation 3/8" = 1' 0"

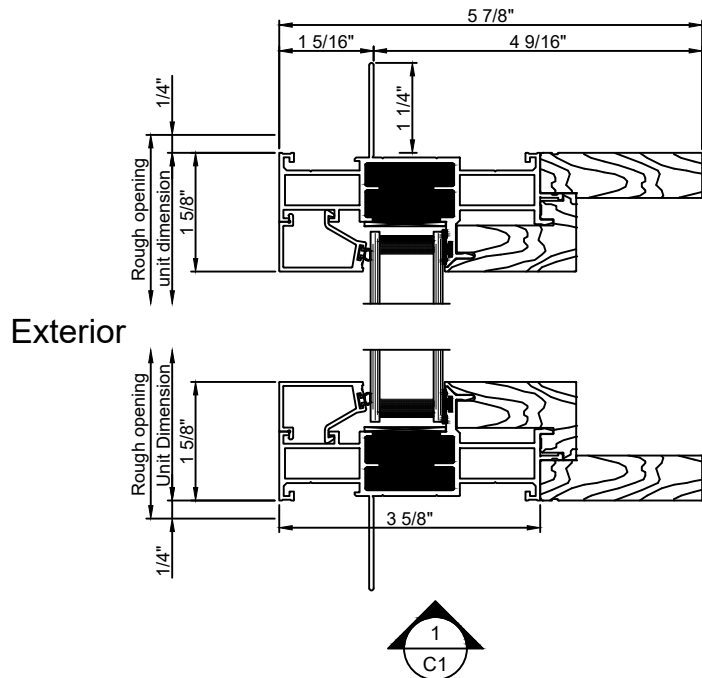
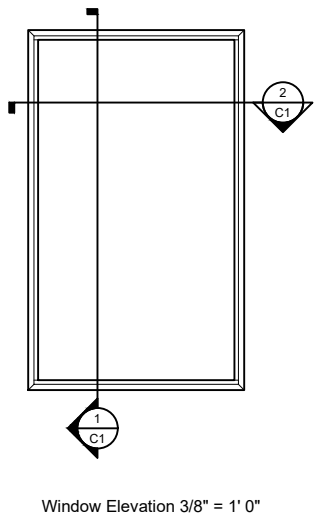
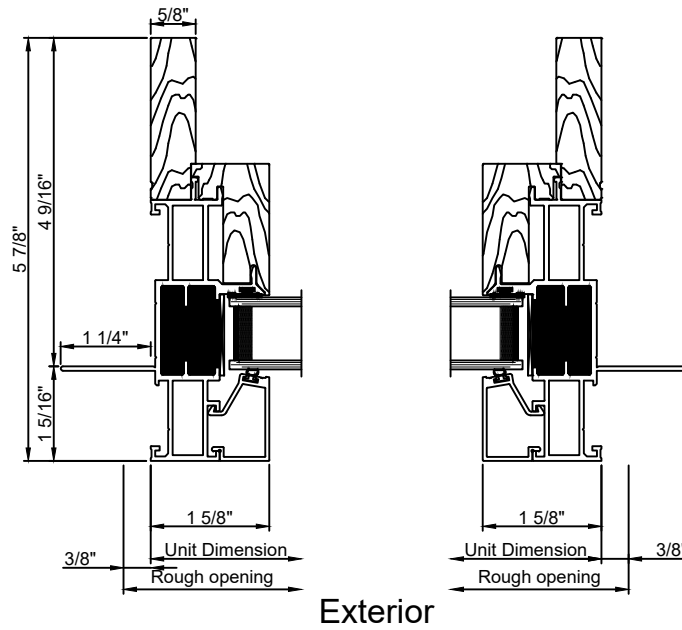
Exterior

Window cut sections 3/8" = 0' 1"

Note: All dimensions are approximate. Quaker reserves the right to change specifications without notice.

# TimberLine (W600) Square Direct Set Window

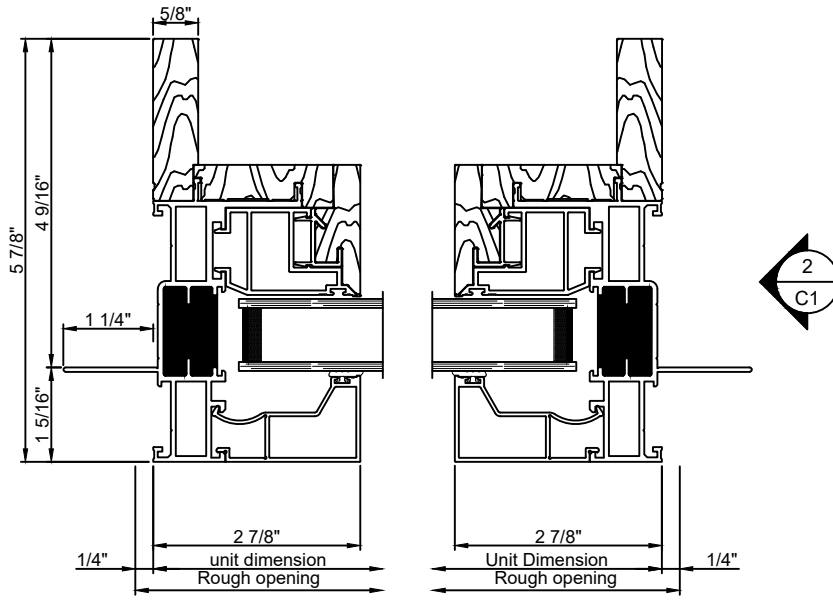
Cross section details



Note: All dimensions are approximate. Quaker reserves the right to change specifications without notice.

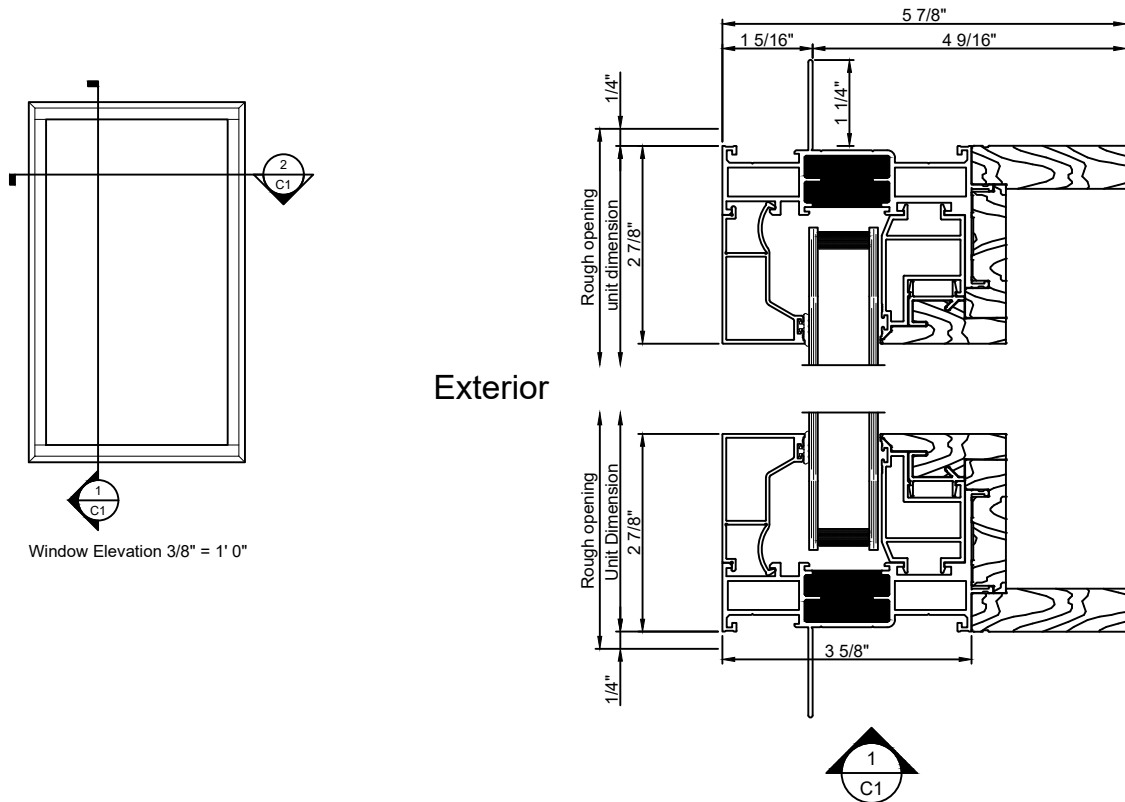
# TimberLine (W600) Square Direct Set Wide Window

Cross section details



Window cut sections 3/8" = 0' 1"

Exterior



Window Elevation 3/8" = 1' 0"

Window cut sections 3/8" = 0' 1"

Note: All dimensions are approximate. Quaker reserves the right to change specifications without notice.